



# MA E BIONDI

COMPONENTI PER CILINDRI OLEODINAMICI  
COMPONENTS FOR OIL HYDRAULIC CYLINDERS  
KOMPONENTEN FÜR HYDRAULIKZYLINDERN  
COMPOSANTS POUR VÉRINS HYDRAULIQUES  
COMPONENTES PARA CILINDROS OLEODINÁMICOS





---

**INDICE**  
**INDEX INHALTSVERZEICHNIS**  
**INDEX ÍNDICE**

**COMPONENTI IN MILLIMETRI**  
**COMPONENTS IN MILLIMETERS KOMPONENTEN IN MILLIMETERN**  
**COMPOSANTS EN MILLIMÈTRES COMPONENTES EN MILÍMETROS**

06 - 11	TESTATE - HEADS - KÖPFE - TÊTES - CABEZAS
12 - 19	PISTONI - PISTONS - KOLBEN - PISTONS - PISTONES
15	CHIAVI PER PISTONE FILETTATO AUTOBLOCCANTE - WRENCHES FOR SELF-LOCKING THREAD. PISTON SCHLÜSSEL FÜR SELBSTSPER. GEWINDEKOLBEN - CLÉS POUR PISTON FILETÉ AUTOBLOQUANT LLAVES PARA PISTÓN ROSCADO AUTOBLOQUEANTE
16	CHIAVI PER PISTONE FILETTATO AUTOBLOCCANTE PDH - WRENCHES FOR SELF-LOCKING THREAD. PISTON PDH SCHLÜSSEL FÜR SELBSTSPER. GEWINDEKOLBEN PDH - CLÉS POUR PISTON FILETÉ AUTOBLOQUANT PDH LLAVES PARA PISTÓN ROSCADO AUTOBLOQUEANTE PDH
20 - 25	FONDELLI - END PLUGS - ZYLINDERBÖDEN - FONDS - FONDOS
26	FORCELE - FORKS - GABELN - CHAPES - HORQUILLAS
27	TERMINALI FISSI - FIX TERMINALS - FESTE ZYLINDERENDE - TERMINAUX FIXES - TERMINALES FIJOS
28	ANELLI GE - GE RINGS - GE-RINGE - ANNEAUX GE - ANILLOS GE
28 - 30	BOCCOLE - BUSHES - BUCHSEN - BAGUES - BUJES
30	BASI OSCILLANTI - SWINGING ENDS - SCHWINGENDE ENDEN - BASES OSCILLANTES - BASES OSCILANTES
31	COLLARI BASCULANTI CON PERNI - TILTING COLLARS WITH PIVOTS - SCHWENKBARE RINGE MIT STIFTEN TOURILLONS OSCILLANTS AVEC PIVOTS - ABRAZADERAS BASCULANTES CON PERNOS
32	FLANGE - FLANGES - FLANSCHEN - FLASQUES - BRIDAS
33 - 35	BORCHIE - PORTS - ANSCHLÜSSE - BOSSAGES - ROSCAS
35	TAPPI DI PROTEZIONE - PROTECTION CAPS - SCHUTZKAPPEN - BOUCHONS DE PROTECTION TAPONES DE PROTECCIÓN
36	DADI AUTOBLOCCANTI - SELF-LOCKING NUTS - SELBSTSPERRENDE MUTTERN ÉCROUS AUTOBLOQUANTS - TUERCAS AUTOBLOQUEANTES

**COMPONENTI IN POLLICI**  
**COMPONENTS IN INCHES KOMPONENTEN IN INCHES**  
**COMPOSANTS EN POUCES COMPONENTES EN PULGADAS**

38	TESTATE - HEADS - KÖPFE - TÊTES - CABEZAS
38	PISTONI - PISTONS - KOLBEN - PISTONS - PISTONES
39	FONDELLI - END PLUGS - ZYLINDERBÖDEN - FONDS - FONDOS

---

---



## COMPONENTI PER SISTEMA AUTOFRENANTE

**COMPONENTS FOR CUSHIONING SYSTEM    KOMPONENTEN FÜR SELBSTBRESENDES SYSTEM  
COMPOSANTS POUR SYSTÈME AUTO-FREINANT    COMPONENTES PARA SISTEMA AUTOFRENANTE**

- 42 | TESTATE - HEADS - KÖPFE - TÊTES - CABEZAS
- 42 | PISTONI - PISTONS - KOLBEN - PISTONS - PISTONES
- 43 | CHIAVI - WRENCHES - SCHLÜSSEL - CLÉS - LLAVES
- 43 | FONDELLI - END PLUGS - ZYLINDERBÖDEN - FONDS - FONDOS

## COMPONENTI IN ACCIAIO INOX AISI 316L

**AISI 316 L-TYPE STAINLESS STEEL COMPONENTS    KOMPONENTEN AUS EDELSTAHL AISI 316 L  
COMPOSANTS EN ACIER INOX AISI 316L    COMPONENTES DE ACERO INOX AISI 316L**

- 46 | TESTATE - HEADS - KÖPFE - TÊTES - CABEZAS
- 46 - 47 | FONDELLI - END PLUGS - ZYLINDERBÖDEN - FONDS - FONDOS
- 48 | BOCCOLE - BUSHES - BUCHSEN - BAGUES - BUJES
- 48 - 49 | FORCELLE - FORKS - GABELN - CHAPES - HORQUILLAS
- 49 | TERMINALI FISSI - FIX TERMINALS - FESTE ZYLINDERENDE - TERMINAUX FIXES - TERMINALES FIJOS
- 50 | BORCHIE - PORTS - ANSCHLÜSSE - BOSSAGES - ROSCAS

## COMPONENTI IN KIT

**KIT COMPONENTS    BAUSATZKOMPONENTEN  
COMPOSANTS EN KIT    COMPONENTES EN KIT**

- 52 - 53 | COMPONENTI IN KIT - KIT COMPONENTS - BAUSATZKOMPONENTEN - COMPOSANTS EN KIT - COMPONENTES EN KIT

## INFORMAZIONI TECNICHE

**TECHNICAL DATA    TECHNISCHE DATEN  
INFORMATIONS TECHNIQUES    DATOS TÉCNICOS**

- 56 | VALORI DI SERRAGGIO PISTONI AUTOBLOCCANTI - SELF-LOCKING PISTONS TORQUE SETTINGS  
ANZUGSMOMENTE FÜR SELBSTSPERRENDE KOLBEN - COUPLES DE SERRAGE POUR PISTONS AUTOBLOQUANTS  
VALORES DE AJUSTE PARA PISTONES AUTOBLOQUEANTES



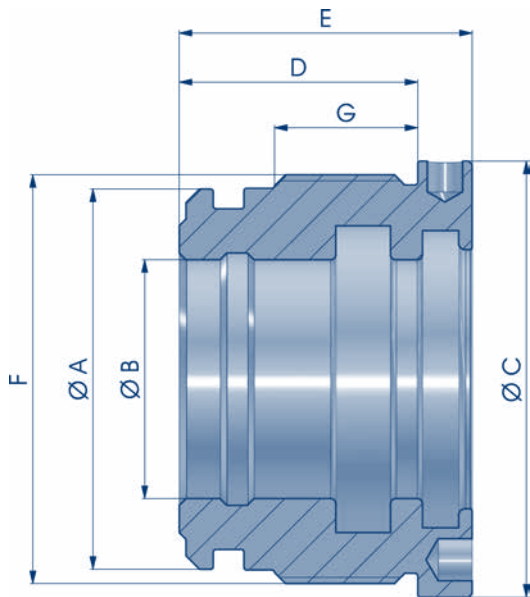
# MA E BIONDI

COMPONENTI IN MILLIMETRI  
COMPONENTS IN MILLIMETERS  
KOMPONENTEN IN MILLIMETERN  
COMPONENTS EN MILLIMÈTRES  
COMPONENTES EN MILÍMETROS





TESTATA  
HEAD KOPF  
TÊTE CABEZA



NEW	COD.	A	B	C	D	E	F	G
	NBT003502516*	25	16	35	12	30	M28X1.5	12
	NBT004003016*	30	16	40	27	33	M34X1.5	15
	NBT04003016G	30	16	40	27	33	M34X1.5	14
•	NBT04003020G	30	20	40	27	33	M34X1.5	14
	NBT004203216	32	16	42	27	33	M36X1.5	15
	NBT004203220	32	20	42	27	33	M36X1.5	15
	NBT004503520	35	20	44	32	40	M39X1.5	19
	NBT004503522	35	22	44	32	40	M39X1.5	19
	NBT005004020	40	20	49	32	40	M44X1.5	19
	NBT005004022	40	22	49	32	40	M44X1.5	19
	NBT005004025	40	25	49	32	40	M44X1.5	19
	NBT005004028	40	28	49	32	40	M44X1.5	19
	NBT005504520	45	20	54	32	40	M49X1.5	19
	NBT005504522	45	22	54	32	40	M49X1.5	19
	NBT005504525	45	25	54	32	40	M49X1.5	19
	NBT006005020	50	20	59	35	43	M54X1.5	22
	NBT006005025	50	25	59	35	43	M54X1.5	22
	NBT006005028	50	28	59	35	43	M54X1.5	22
	NBT006005030	50	30	59	35	43	M54X1.5	22
	NBT006005032	50	32	59	35	43	M54X1.5	22
	NBT006005035	50	35	59	35	43	M54X1.5	22
	NBT006005036	50	36	59	35	43	M54X1.5	22
	NBT006505525	55	25	64	35	43	M60X1.5	21
	NBT006505530	55	30	64	35	43	M60X1.5	21
	NBT006505535	55	35	64	35	43	M60X1.5	21
	NBT007006025	60	25	69	40	50	M64X1.5	27
	NBT007006028	60	28	69	40	50	M64X1.5	27
	NBT007006030	60	30	69	40	50	M64X1.5	27
	NBT007006032	60	32	69	40	50	M64X1.5	27
	NBT007006035	60	35	69	40	50	M64X1.5	27
	NBT007006036	60	36	69	40	50	M64X1.5	27
	NBT007006040	60	40	69	40	50	M64X1.5	27
	NBT007306330	63	30	73	40	50	M68X1.5	25
	NBT007306332	63	32	73	40	50	M68X1.5	25
	NBT007306335	63	35	73	40	50	M68X1.5	25
	NBT007306336	63	36	73	40	50	M68X1.5	25
	NBT007306340	63	40	73	40	50	M68X1.5	25
	NBT007306345	63	45	73	40	50	M68X1.5	25
	NBT007506530	65	30	74	40	50	M69X1.5	25
	NBT007506532	65	32	74	40	50	M69X1.5	25
	NBT007506535	65	35	74	40	50	M69X1.5	25
	NBT007506536	65	36	74	40	50	M69X1.5	25
	NBT007506540	65	40	74	40	50	M69X1.5	25
	NBT007506545	65	45	74	40	50	M69X1.5	25
	NBT008007025	70	25	79	40	50	M74X1.5	27
	NBT008007030	70	30	79	40	50	M74X1.5	27
	NBT008007032	70	32	79	40	50	M74X1.5	27
	NBT008007035	70	35	79	40	50	M74X1.5	27
	NBT008007036	70	36	79	40	50	M74X1.5	27
	NBT008007040	70	40	79	40	50	M74X1.5	27
	NBT008007045	70	45	79	40	50	M74X1.5	27
	NBT008007050	70	50	79	40	50	M74X1.5	27
	NBT009007530	75	30	89	50	60	M80X2	33
	NBT009007535	75	35	89	50	60	M80X2	33
	NBT009007540	75	40	89	50	60	M80X2	33
	NBT009007545	75	45	89	50	60	M80X2	33
	NBT009008030	80	30	89	50	60	M84x1.5	33
	NBT009008035	80	35	89	50	60	M84x1.5	33

Materiale di produzione : Ghisa GG 25  
 Production material : Cast iron GG 25  
 Werkstoff : Gusseisen GG 25  
 Matériel de production : Fonte grise GG 25  
 Material de fabricación : Hierro fundido GG 25

Materiale di produzione \*: Alluminio  
 Production material \*: Aluminium  
 Werkstoff \*: Aluminium  
 Matériel de production \*: Aluminium  
 Material de fabricación \*: Aluminio

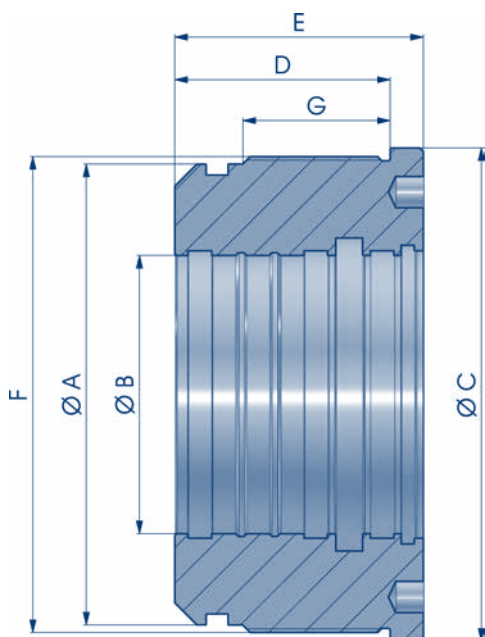


NEW	COD.	A	B	C	D	E	F	G
	NBT009008040	80	40	89	50	60	M84x1.5	33
	NBT009008045	80	45	89	50	60	M84x1.5	33
	NBT009008050	80	50	89	50	60	M84x1.5	33
	NBT009208035	80	35	92	50	60	M85X2	33
	NBT009208040	80	40	92	50	60	M85X2	33
	NBT009208045	80	45	92	50	60	M85X2	33
	NBT009208050	80	50	92	50	60	M85X2	33
	NBT009208055	80	55	92	50	60	M85X2	33
	NBT009208056	80	56	92	50	60	M85X2	33
	NBT009208060	80	60	92	50	60	M85X2	33
	NBT009508030	80	30	94	50	60	M85X2	33
	NBT009508035	80	35	94	50	60	M85X2	33
	NBT009508036	80	36	94	50	60	M85X2	33
	NBT009508040	80	40	94	50	60	M85X2	33
	NBT009508045	80	45	94	50	60	M85X2	33
	NBT009508050	80	50	94	50	60	M85X2	33
	NBT009508055	80	55	94	50	60	M85X2	33
	NBT009508056	80	56	94	50	60	M85X2	33
	NBT009508060	80	60	94	50	60	M85X2	33
	NBT010008535	85	35	99	50	60	M90X2	33
	NBT010008540	85	40	99	50	60	M90X2	33
	NBT010008545	85	45	99	50	60	M90X2	33
	NBT010008550	85	50	99	50	60	M90X2	33
	NBT010509040	90	40	104	50	60	M95X2	33
	NBT010509045	90	45	104	50	60	M95X2	33
	NBT010509050	90	50	104	50	60	M95X2	33
	NBT010509056	90	56	104	50	60	M95X2	33
	NBT010509060	90	60	104	50	60	M95X2	33
	NBT011510040	100	40	114	70	82	M105X2	51
	NBT011510045	100	45	114	70	82	M105X2	51
	NBT011510050	100	50	114	70	82	M105X2	51
	NBT011510055	100	55	114	70	82	M105X2	51
	NBT011510056	100	56	114	70	82	M105X2	51
	NBT011510060	100	60	114	70	82	M105X2	51
	NBT011510063	100	63	114	70	82	M105X2	51
	NBT011510070	100	70	114	70	82	M105X2	51
	NBT012511045	110	45	124	60	72	M115X2	41
	NBT012511050	110	50	124	60	72	M115X2	41
	NBT012511060	110	60	124	70	82	M115X2	51
	NBT012511070	110	70	124	70	82	M115X2	51
	NBT014012050	120	50	139	70	82	M125X2	49
	NBT014012060	120	60	139	70	82	M125X2	49
	NBT014012070	120	70	139	70	82	M125X2	49
	NBT014012080	120	80	139	70	82	M125X2	49
	NBT014012090	120	90	139	70	82	M125X2	49
	NBT014512555	125	55	144	80	92	M130X2	59
	NBT014512560	125	60	144	80	92	M130X2	59
	NBT014512563	125	63	144	80	92	M130X2	59
	NBT014512570	125	70	144	80	92	M130X2	59
	NBT014512580	125	80	144	80	92	M130X2	59
	NBT014512590	125	90	144	80	92	M130X2	59
	NBT015013060	130	60	149	80	92	M135X2	59
	NBT015013070	130	70	149	80	92	M135X2	59
	NBT015013080	130	80	149	80	92	M135X2	59
	NBT015013090	130	90	149	80	92	M135X2	59
	NBT016014070	140	70	159	80	92	M145X2	59
	NBT016014080	140	80	159	80	92	M145X2	59
	NBT016014090	140	90	159	80	92	M145X2	59

300 BAR  
\*\*250 BAR



TESTATA  
HEAD KOPF  
TÊTE CABEZA

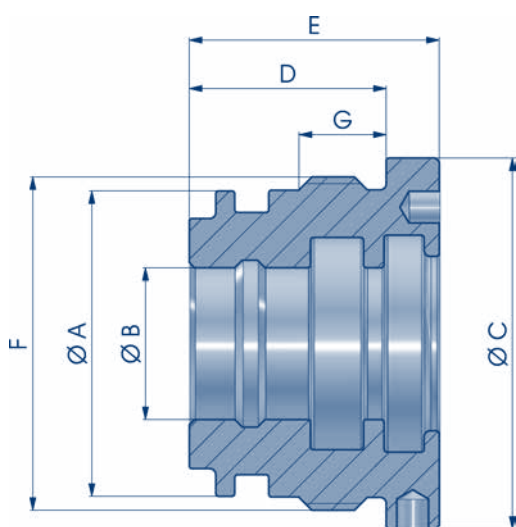


COD.	A	B	C	D	E	F	G
NBT017015070**	150	70	169	90	102	M155X2	69
NBT017015080**	150	80	169	90	102	M155X2	69
NBT018016070**	160	70	179	90	102	M165X2	69
NBT018016080**	160	80	179	90	102	M165X2	69
NBT018016090**	160	90	179	90	102	M165X2	69
NBT180160110**	160	110	179	90	102	M165X2	69
NBT210180080	180	80	209	92	110	M188x2.5	58
NBT210180090	180	90	209	92	110	M188x2.5	58
NBT210180100	180	100	209	92	110	M188X2.5	58
NBT210180120	180	120	209	92	110	M188X2.5	58
NBT220200090	200	90	219	92	110	M208X2.5	58
NBT220200100	200	100	219	92	110	M208X2.5	58
NBT220200120	200	120	219	92	110	M208X2.5	58
NBT220200140	200	140	219	92	110	M208X2.5	58
NBT250220100	220	100	249	104	122	M228X2.5	70
NBT250220110	220	110	249	104	122	M228X2.5	70
NBT250220120	220	120	249	104	122	M228X2.5	70
NBT250220150	220	150	249	104	122	M228X2.5	70
NBT250220160	220	160	249	104	122	M228X2.5	70
NBT270250120	250	120	268	117	135	M258X2.5	80
NBT270250150	250	150	268	117	135	M258X2.5	80

200 BAR



TESTATA BASSA  
SHORT HEAD KURZER KOPF  
TÊTE COURTE CABEZA CORTA



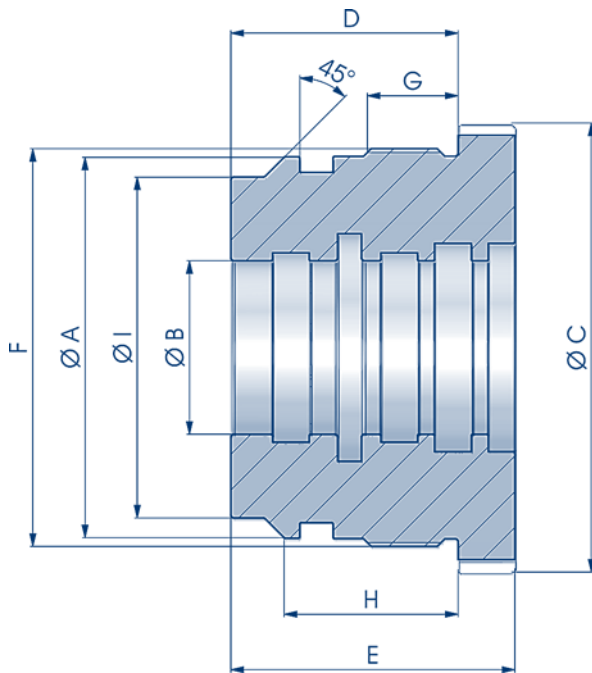
COD.	A	B	C	D	E	F	G
NBTB005004020	40	20	49	26	33	M44X1.5	11
NBTB005004025	40	25	49	26	33	M44X1.5	11
NBTB006005025	50	25	59	28	36	M54X1.5	13
NBTB006005030	50	30	59	28	36	M54X1.5	13
NBTB007006025	60	25	69	33	41	M64X1.5	16
NBTB007006030	60	30	69	33	41	M64X1.5	16
NBTB007006032	60	32	69	33	41	M64X1.5	16
NBTB007006035	60	35	69	33	41	M64X1.5	16
NBTB008007035	70	35	79	33	41	M74X1.5	16
NBTB008007040	70	40	79	33	41	M74X1.5	16
NBTB009208040	80	40	92	36	46	M85X2	18
NBTB009208050	80	50	92	36	46	M85X2	18
NBTB011510050	100	50	114	45	55	M105X2	22
NBTB011510060	100	60	114	45	55	M105X2	22

Materiale di produzione : Ghisa GG 25  
Production material : Cast iron GG 25  
Werkstoff : Gusseisen GG 25  
Matériel de production : Fonte grise GG 25  
Material de fabricación : Hierro fundido GG 25





**TESTATA PESANTE  
HEAVY HEAD SCHWERER KOPF  
TÊTE LOURDE CABEZA PESADA**

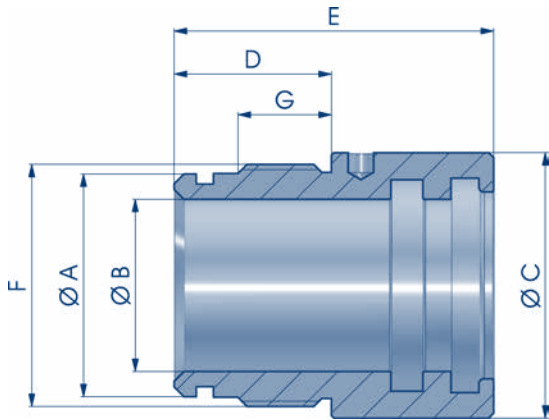


NEW	COD.	A	B	C	D	E	F	G	H	I
	NBTP065050025	50	25	64	45	55	M54X1.5	22	38	45
	NBTP065050030	50	30	64	45	55	M54X1.5	22	38	45
	NBTP065050035	50	35	64	45	55	M54X1.5	22	38	45
	NBTP075060030	60	30	74	48	60	M64X1.5	22	38	52
	NBTP075060035	60	35	74	48	60	M64X1.5	22	38	52
	NBTP075060040	60	40	74	48	60	M64X1.5	22	38	52
	NBTP078063035	63	35	78	50	65	M68X1.5	22	40	53
	NBTP078063040	63	40	78	50	65	M68X1.5	22	40	53
	NBTP078063045	63	45	78	50	65	M68X1.5	22	40	53
	NBTP085070040	70	40	84	50	65	M74X1.5	22	40	60
	NBTP085070050	70	50	84	50	65	M74X1.5	22	40	60
•	NBTP100080040	80	40	94	60	75	M85X2	25	43	70
	NBTP100080045	80	45	94	60	75	M85X2	25	43	70
	NBTP100080050	80	50	95	60	75	M85X2	25	43	70
	NBTP110090040	90	40	109	60	75	M95X2	25	46	80
	NBTP110090045	90	45	109	60	75	M95X2	25	46	80
	NBTP110090050	90	50	109	60	75	M95X2	25	46	80
	NBTP110090060	90	60	109	60	75	M95X2	25	46	80
	NBTP120100045	100	45	119	60	75	M105X2	25	46	90
	NBTP120100050	100	50	119	60	75	M105X2	25	46	90
	NBTP120100056	100	56	119	60	75	M105X2	25	46	90
	NBTP120100060	100	60	119	60	75	M105X2	25	46	90
	NBTP120100063	100	63	119	60	75	M105X2	25	46	90
	NBTP130110050	110	50	129	70	85	M115X2	30	52	100
	NBTP130110056	110	56	129	70	85	M115X2	30	52	100
	NBTP130110060	110	60	129	70	85	M115X2	30	52	100
	NBTP130110063	110	63	129	70	85	M115X2	30	52	100
	NBTP140120060	120	60	139	70	85	M125X2	31	52	110
	NBTP140120070	120	70	139	70	85	M125X2	31	52	110
	NBTP140120080	120	80	139	70	85	M125X2	31	52	110
	NBTP145125050	125	50	144	75	90	M130X2	39	60	115
	NBTP145125060	125	60	144	75	90	M130X2	39	60	115
	NBTP145125070	125	70	144	75	90	M130X2	39	60	115
	NBTP145125080	125	80	144	75	90	M130X2	39	60	115
	NBTP145125090	125	90	144	75	90	M130X2	39	60	115
	NBTP160140080	140	80	159	75	90	M145X2	40	61	130
	NBTP160140090	140	90	159	75	90	M145X2	40	61	130
	NBTP160140100	140	100	159	75	90	M145X2	40	61	130
	NBTP170150080	150	80	169	85	100	M155X2	46	68	140
	NBTP170150090	150	90	169	85	100	M155X2	46	68	140
	NBTP170150100	150	100	169	85	100	M155X2	46	68	140
	NBTP180160090	160	90	179	85	100	M165X2	46	68	150
	NBTP180160100	160	100	179	85	100	M165X2	46	68	150
	NBTP180160120	160	120	179	85	100	M165X2	46	68	150

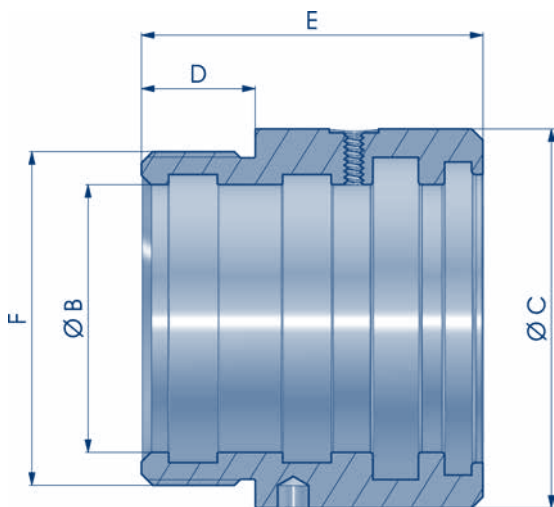




**TESTATA TUFFANTE  
PLUNGER HEAD PLUNGERKOPF  
TÊTE PLONGEURE CABEZA SUMERGIDA**



COD.	A	B	C	D	E	F	G
NBTT00200300	30	20	40	27	57	M34X1.5	15
NBTT00250350	35	25	45	32	65	M39X1.5	19
NBTT00300400	40	30	50	32	65	M44X1.5	19
NBTT00350450	45	35	55	32	65	M49X1.5	19
NBTT00400500	50	40	60	35	70	M54X1.5	22
NBTT00450550	55	45	65	35	70	M60X1.5	22
NBTT00500600	60	50	70	40	75	M64X1.5	22
NBTT00600700	70	60	80	40	75	M74X1.5	27



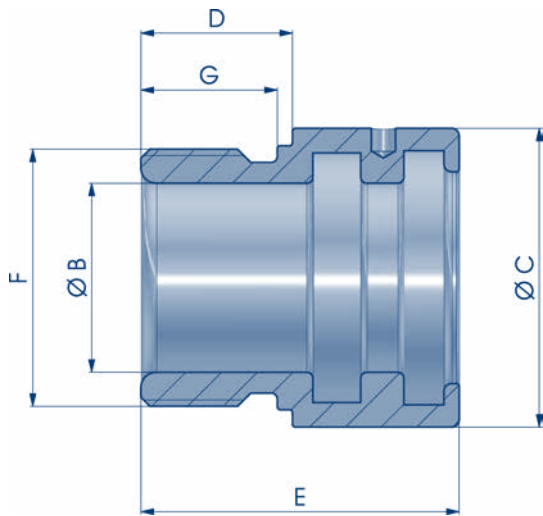
COD.	B	C	D	E	F
NBTT00700900*	70	100	30	90	M90X2
NBTT00800960*	80	107	40	95	M96X2
NBTT01001240*	100	138,5	42	157	M124X2

Materiale di produzione : Ghisa GG 25  
 Production material : Cast iron GG 25  
 Werkstoff : Gusseisen GG 25  
 Matériel de production : Fonte grise GG 25  
 Material de fabricación : Hierro fundido GG 25

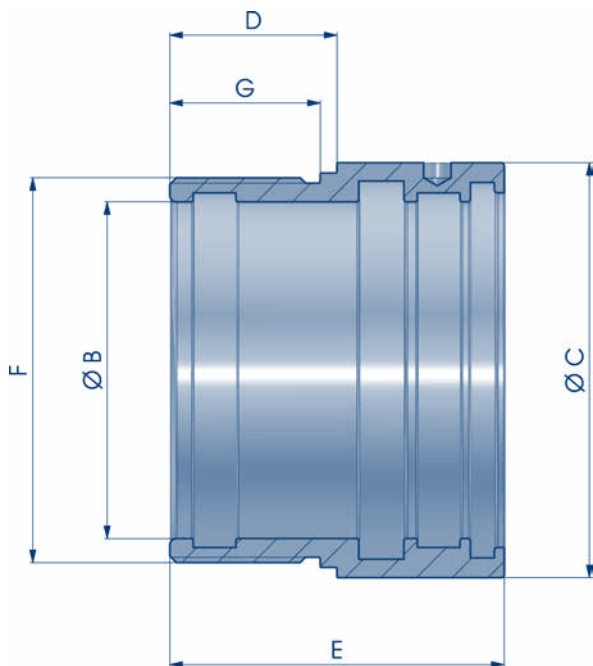
Materiale di produzione \*: Acciaio S355JR  
 Production material \*: Steel S355JR  
 Werkstoff \*: Stahl S355JR  
 Matériel de production \*: Acier S355JR  
 Material de fabricación \*: Acero S355JR



**TESTATA TUFFANTE TIPO "H"**  
**PLUNGER HEAD "H" TYPE PLUNGERKOPF TYP "H"**  
**TÊTE PLONGEURE TYPE "H" CABEZA SUMERGIDA TIPO "H"**



COD.	B	C	D	E	F	G
NBTTH0200300	20	40	20	42	M34X1.5	18
NBTTH0250300	25	40	20	42	M34X1.5	18
NBTTH0300400	30	50	21	46	M44X1.5	19
NBTTH0350400	35	50	21	46	M44X1.5	19
NBTTH0400500	40	60	30	59	M54X1.5	28
NBTTH0450500	45	60	30	59	M54X1.5	28
NBTTH0500600	50	70	30	60	M64X1.5	28
NBTTH0600700	60	80	30	60	M74X1.5	28



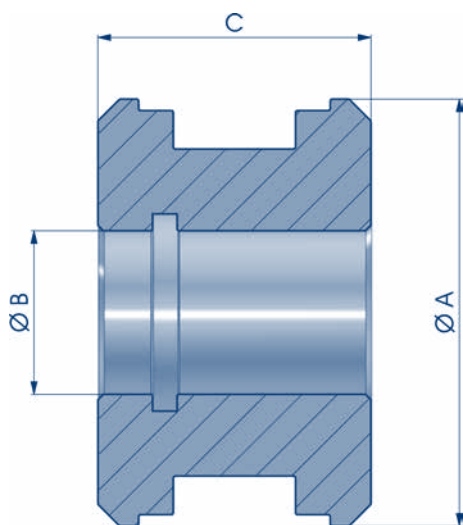
COD.	B	C	D	E	F	G
NBTTH0700800*	70	94	35	70	M85X2	32
NBTTH0800900*	80	104	40	80	M95X2	36
NBTTH9001000*	90	114	40	80	M105X2	36
NBTTH1001100*	100	124	50	100	M115X2	45

**Materiale di produzione :** Acciaio 11SMn30+NI-TEMPER  
**Production material :** Steel 11SMn30+NI-TEMPER  
**Werkstoff :** Stahl 11SMn30+NI-TEMPER  
**Matériel de production :** Acier 11SMn30+NI-TEMPER  
**Material de fabricación :** Acero 11SMn30+NI-TEMPER

**Materiale di produzione\*:** Acciaio S355JR  
**Production material\*:** Steel S355JR  
**Werkstoff\*:** Stahl S355JR  
**Matériel de production\*:** Acier S355JR  
**Material de fabricación\*:** Acero S355JR



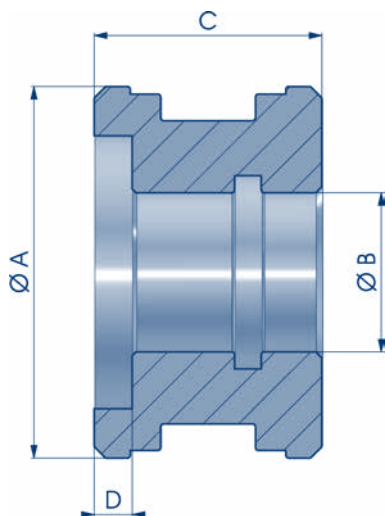
PISTONE  
PISTON KOLBEN  
PISTON PISTÓN



NEW	COD.	A	B	C
	NBP000030013	30	13	25
	NBP000032013	32	13	30
	NBP000032015	32	15	30
	NBP000035015	35	15	40
	NBP000040015	40	15	40
	NBP000045015	45	15	40
	NBP000050015	50	15	40
	NBP000050020	50	20	40
	NBP000050025	50	25	40
	NBP000055020	55	20	40
	NBP000060020	60	20	50
	NBP000060020H40	60	20	40
	NBP000060024	60	24	45
	NBP000060024H40	60	24	40
	NBP000060024H50	60	24	50
	NBP000060027	60	27	50
	NBP000060027H40	60	27	40
	NBP000063020	63	20	50
	NBP000063020H40	63	20	40
	NBP000063024	63	24	45
	NBP000063024H40	63	24	40
	NBP000063024H50	63	24	50
	NBP000063027	63	27	50
	NBP000063027H40	63	27	40
	NBP000065020	65	20	50
	NBP000065020H40	65	20	40
	NBP000065024	65	24	45
	NBP000065024H40	65	24	40
	NBP000065024H50	65	24	50
	NBP000065027	65	27	50
	NBP000065027H40	65	27	40
	NBP000070020	70	20	50
	NBP000070024	70	24	45
	NBP000070024H50	70	24	50
	NBP000070027	70	27	50
	NBP000075024	75	24	45
	NBP000075024H50	75	24	50
	NBP000075027	75	27	50
	NBP000080024	80	24	45
	NBP000080024H50	80	24	50
	NBP000080027	80	27	50
	NBP000080030	80	30	50
	NBP000085024	85	24	45
	NBP000085024H50	85	24	50
	NBP000085027	85	27	50
	NBP000090027	90	27	50
	NBP000090033	90	33	50
	NBP000100027	100	27	50
	NBP000100033	100	33	50
	NBP000110033	110	33	50
	NBP000110040	110	40	50
	NBP000120040	120	40	50
	NBP000125040	125	40	50
	• NBP000130040	130	40	50
	NBP000140040	140	40	58
	NBP000150040	150	40	58
	NBP000160051	160	51	58



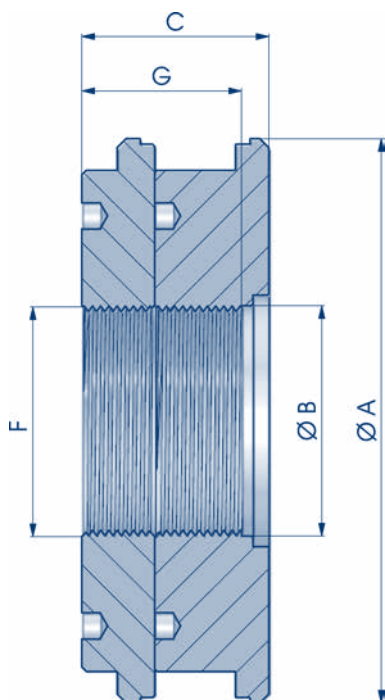
**PISTONE BASSO**  
**SHORT PISTON KURZER KOLBEN**  
**PISTON COURT PISTÓN CORTO**



COD.	A	B	C	D
NBP00040015	40	15	27	5
NBP00050021	50	21	30	5
NBP00060025	60	25	35	5
NBP00063025	63	25	35	5
NBP00065025	65	25	35	5
NBP00070025	70	25	35	5
NBP00080028	80	28	40	6
NBP00090035	90	35	40	6
NBP00100035	100	35	40	6



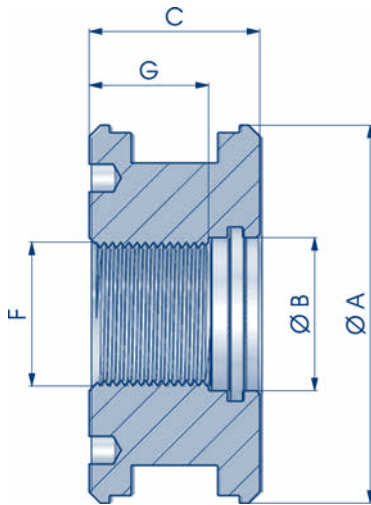
**PISTONE FILETTATO IN DUE PARTI**  
**TWO PARTS THREADED PISTON ZWEIFTEILIGER KOLBEN MIT GEWINDE**  
**PISTON FILETÉ EN DEUX PARTIES PISTÓN ROSCADO EN DOS PARTES**



NEW	COD.	A	B	C	F	G
•	NBP000180070	180	72.1	82	M70X2	70
	NBP000180080	180	82.1	82	M80X2	70
•	NBP000200070	200	72.1	82	M70X2	70
	NBP000200080	200	82.1	82	M80X2	70
	NBP000220098	220	101.1	82	M98X2	70
	NBP000250098	250	101.1	82	M98X2	70



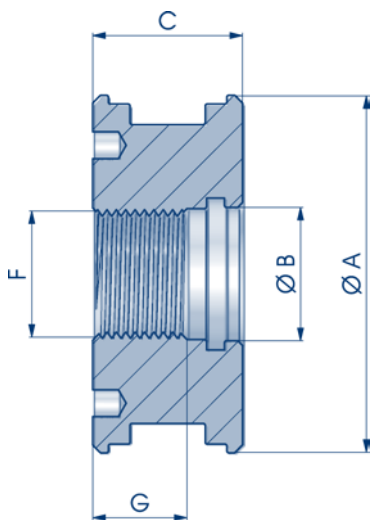
**PISTONE FILETTATO**  
**THREADED PISTON KOLBEN MIT GEWINDE**  
**PISTON FILETÉ PISTÓN ROSCADO**



NEW	COD.	A	B	C	F	G
	NBPF00251015	25	11	25	M10X1.5	17.5
	NBPF00301215	30	13	25	M12X1.5	17.5
	NBPF00321215	32	13	33	M12X1.5	25.5
	NBPF00351415	35	17	33	M14X1.5	23
	NBPF00401615	40	17	40	M16X1.5	30
	NBPF00502015	50	21	40	M20X1.5	28
	NBPF00602420	60	25	45	M24X2	30
	NBPF00632420	63	25	45	M24X2	30
	NBPF00652420	65	25	45	M24X2	30
	NBPF00702420	70	25	45	M24X2	30
	NBPF00752720	75	28	45	M27X2	30
	NBPF00802720	80	28	45	M27X2	30
	NBPF00803020	80	33	45	M30X2	30
	NBPF00903320	90	35	50	M33X2	35
	NBPF01003320	100	35	50	M33X2	35
	NBPF01103930	110	42	50	M39X3	35
	NBPF01204230	120	45	50	M42X3	35
	NBPF01254230	125	45	50	M42X3	35
	NBPF01304230	130	45	50	M42X3	35
	NBPF01404830	140	51	58	M48X3	40
	NBPF01504830	150	51	58	M48X3	40
	NBPF01505230	150	54	58	M52X3	40
	NBPF01605230	160	54	58	M52X3	40



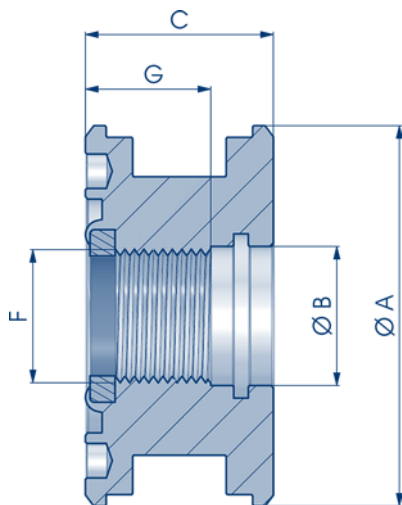
**PISTONE FILETTATO BASSO**  
**SHORT THREADED PISTON KURZER KOLBEN MIT GEWINDE**  
**PISTON COURT FILETÉ PISTÓN ROSCADO CORTO**



COD.	A	B	C	F	G
NBPBF0040M16*	40	17	27	M16X1.5	19
NBPBF0050M20*	50	21	30	M20X1.5	21
NBPBF0060M24*	60	25	35	M24X2	24
NBPBF0063M24*	63	25	35	M24X2	24
NBPBF0065M24*	65	25	35	M24X2	24
NBPBF0070M24*	70	25	35	M24X2	24
NBPBF0075M27*	75	28	40	M27X2	26
NBPBF0080M27*	80	28	40	M27X2	26
NBPBF0090M33*	90	35	40	M33X2	26
NBPBF0100M33*	100	35	40	M33X2	26



**PISTONE FILETTATO AUTOBLOCCANTE**  
**SELF-LOCKING THREADED PISTON SELBSTSPERRENDER KOLBEN MIT GEWINDE**  
**PISTON FILETÉ AUTOBLOQUANT PISTÓN ROSCADO AUTOBLOQUEANTE**

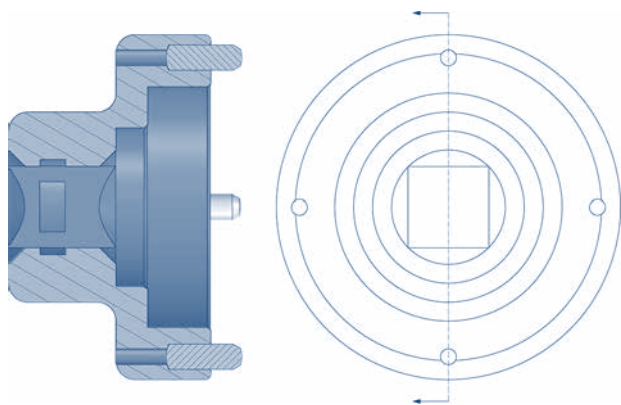


patent No. 0000279147

COD.	A	B	C	F	G
NBPF0351415B	35	17	33	M14X1.5	23
NBPF0401615B	40	17	40	M16X1.5	30
NBPF0502015B	50	21	40	M20X1.5	28
NBPF0602420B	60	25	45	M24X2	30
NBPF0632420B	63	25	45	M24X2	30
NBPF0652420B	65	25	45	M24X2	30
NBPF0702420B	70	25	45	M24X2	30
NBPF0752720B	75	28	45	M27X2	30
NBPF0802720B	80	28	45	M27X2	30
NBPF0803020B	80	33	45	M30X2	30
NBPF0903320B	90	35	50	M33X2	35
NBPF1003320B	100	35	50	M33X2	35



**CHIAVE PER PISTONE FILETTATO AUTOBLOCCANTE**  
**WRENCH FOR SELF-LOCKING THREAD. PISTON SCHLÜSSEL FÜR SELBSTSPER. GEWINDEKOLBEN**  
**CLÉ POUR PISTON FILETÉ AUTOBLOQUANT LLAVE PARA PISTÓN ROSCADO AUTOBLOQUEANTE**

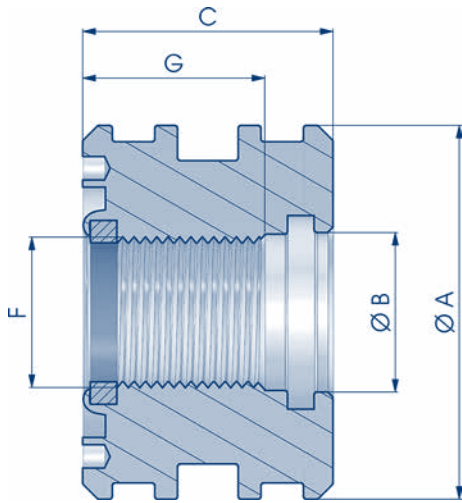


COD. CHIAVE WRENCH CODE SCHLÜSSEL-CODE CODE CLÉ CÓD. LLAVE	COD. PISTONE PISTON CODE KOLBEN-CODE CODE PISTON CÓD. PISTÓN
NBCHPF000M14	NBPF0351415B
NBCHPF000M16	NBPF0401615B
NBCHPF000M20	NBPF0502015B
NBCHPF000M24	NBPF0602420B
NBCHPF000M24	NBPF0632420B
NBCHPF000M24	NBPF0652420B
NBCHPF000M24	NBPF0702420B
NBCHPF000M24	NBPF0802720B
NBCHPF000M24	NBPF0803020B
NBCHPF000M33	NBPF0903320B
NBCHPF000M33	NBPF1003320B



### PISTONE FILETTATO AUTOBLOCCANTE PER PDH

SELF-LOCKING THREADED PISTON FOR PDH SELBSTSPERRENDE GEWINDEKOLBEN FÜR PDH  
PISTON FILETÉ AUTOBLOQUANT POUR PDH PISTÓN ROSCADO AUTOBLOQUEANTE PARA PDH



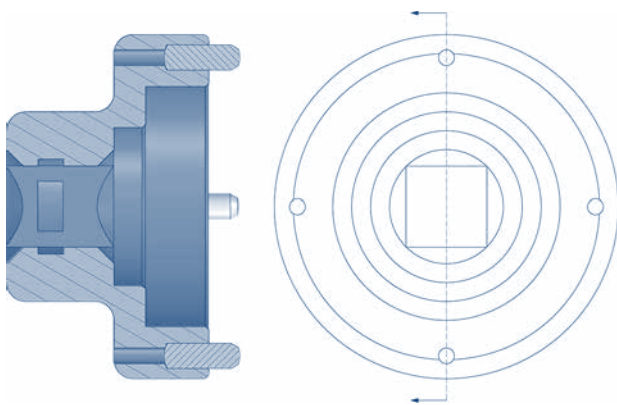
patent No. 0000279147

COD.	A	B	C	F	G
NBPFPDH04016B	40	17	33	M16X1.5	24
NBPFPDH05020B	50	21	33	M20X1.5	24
NBPFPDH06024B	60	25	38	M24X1.5	28
NBPFPDH06324B	63	25	38	M24X1.5	28
NBPFPDH06524B	65	25	38	M24X1.5	28
NBPFPDH07024B	70	25	38	M24X1.5	28
NBPFPDH08030B	80	33	42	M30X1.5	30
NBPFPDH09033B	90	35	45	M33X1.5	33
NBPFPDH10033B	100	35	45	M33X1.5	33



### CHIAVE PER PISTONE FILETTATO AUTOBLOCCANTE PDH

WRENCH FOR SELF-LOCKING THREAD. PISTON PDH SCHLÜSSEL FÜR SELBSTSPER. GEWINDEKOLBEN PDH  
CLÉ POUR PISTON FILETÉ AUTOBLOQUANT PDH LLAVE PARA PISTÓN ROSCADO AUTOBLOQUEANTE PDH

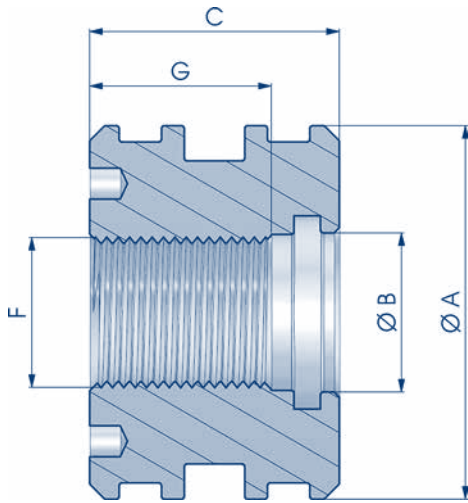


COD. CHIAVE WRENCH CODE SCHLÜSSEL-CODE CODE CLÉ CÓD. LLAVE	COD. PISTONE PISTON CODE KOLBEN-CODE CODE PISTON CÓD. PISTÓN
NBCHPF000M16	NBPFPDH04016B
NBCHPF000M20	NBPFPDH05020B
NBCHPF000M24	NBPFPDH06024B
NBCHPF000M24	NBPFPDH06324B
NBCHPF000M24	NBPFPDH06524B
NBCHPF000M24	NBPFPDH07024B
NBCHPF000M24	NBPFPDH08030B
NBCHPF000M33	NBPFPDH09033B
NBCHPF000M33	NBPFPDH10033B





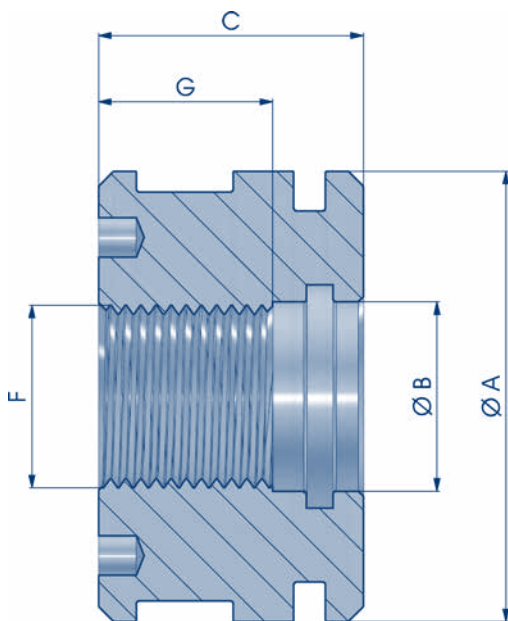
**PISTONE FILETTATO PER PDH**  
**THREADED PISTON FOR PDH GEWINDEKOLBEN FÜR PDH**  
**PISTON FILETÉ POUR PDH PISTÓN ROSCADO PARA PDH**



COD.	A	B	C	F	G
NBPFPDH04016	40	17	33	M16X1.5	24
NBPFPDH05020	50	21	33	M20X1.5	24
NBPFPDH06024	60	25	38	M24X1.5	28
NBPFPDH06324	63	25	38	M24X1.5	28
NBPFPDH06524	65	25	38	M24X1.5	28
NBPFPDH07024	70	25	38	M24X1.5	28
NBPFPDH08030	80	33	42	M30X1.5	30
NBPFPDH09033	90	35	45	M33X1.5	33
NBPFPDH10033	100	35	45	M33X1.5	33



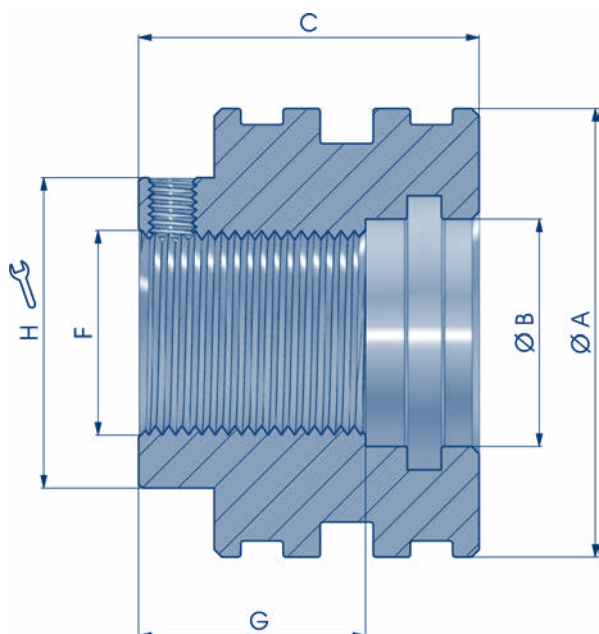
**PISTONE FILETTATO PER GER**  
**THREADED PISTON FOR GER GEWINDEKOLBEN FÜR GER**  
**PISTON FILETÉ POUR GER PISTÓN ROSCADO PARA GER**



COD.	A	B	C	F	G
NBPFG0321215	32	13	30	M12X1,5	20
NBPFG0351615	35	17	30	M16X1,5	20
NBPFG0401615	40	17	30	M16X1,5	20
NBPFG0501615	50	17	30	M16X1,5	20
NBPFG0602420	60	25	35	M24X2	23
NBPFG0632420	63	25	35	M24X2	23
NBPFG0652420	65	25	35	M24X2	23
NBPFG0702420	70	25	35	M24X2	23
NBPFG0802720	80	28	40	M27X2	28
NBPFG0903320	90	35	45	M33X2	30
NBPFG1003320	100	35	45	M33X2	30



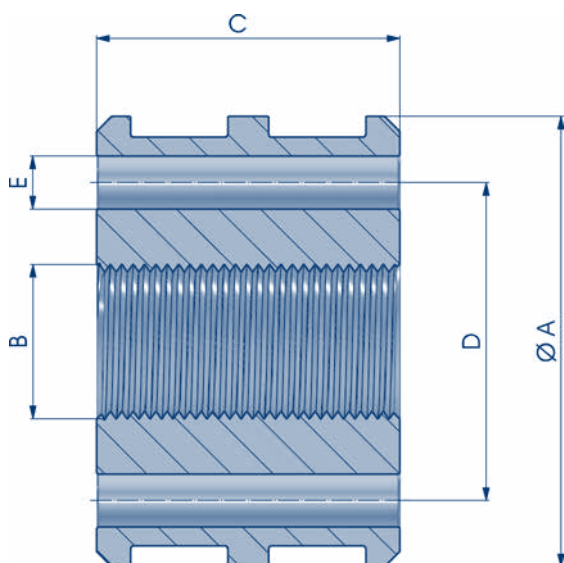
**PISTONE PESANTE**  
**HEAVY PISTON SCHWERER KOLBEN**  
**PISTON LOURD PISTÓN PESADO**



COD.	A	B	C	F	G	H
NBPP050021040*	50	21	40	M20X1.5	28	36
NBPP060025045*	60	25	45	M24X2	30	41
NBPP060030045*	60	30	45	M27X2	30	41
NBPP063030045*	63	30	45	M27X2	30	41
NBPP070040056*	70	40	56	M30X2	41	50
NBPP080040056*	80	40	56	M30X2	41	50
NBPP090038055*	90	38	55	M36X3	40	64
NBPP090040056*	90	40	56	M36X3	41	64
NBPP100035056*	100	35	56	M33X2	41	64
NBPP100045056*	100	45	56	M42X2	41	64
NBPP110050070*	110	50	70	M48X3	55	75
NBPP120045070*	120	45	70	M42X2	55	75
NBPP120050070*	120	50	70	M48X3	55	75
NBPP125050070*	125	51	70	M48X3	55	75
NBPP140050075*	140	50	75	M48X3	57	75
NBPP150056080*	150	56	80	M52X3	60	80
NBPP160056080*	160	56	80	M52X3	60	80
NBPP180085090*	180	85	90	M80X2	65	110
NBPP200085090*	200	85	90	M80X2	65	110
NBPP220085090*	220	85	90	M80X2	65	110
NBPP250104100*	250	104	100	M98X2	75	135



**PISTONE PER TUFFANTE**  
**PISTON FOR PLUNGER CYLINDER KOLBEN FÜR TAUCHKOLBENZYLINDER**  
**PISTON POUR VÉRIN PLONGEUR PISTÓN SUMERGIDO**



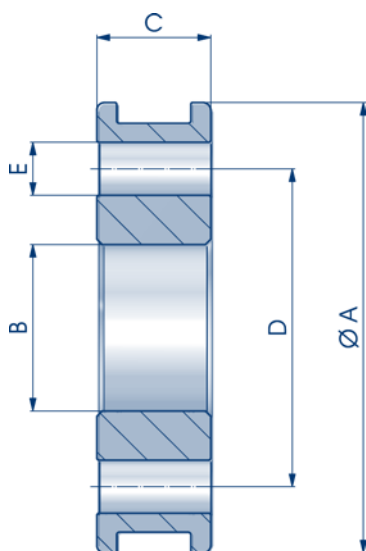
COD.	A	B	C	D	E
NBPFT0301215	30	M12x1.5	35	20	Ø 3.5X3
NBPFT0351415	35	M14x1.5	35	23	Ø 4.5X3
NBPFT0401415	40	M14x1.5	35	27	Ø 4.5X3
NBPFT0451615	45	M16x1.5	35	31	Ø 4.5X3
NBPFT0502015	50	M20x1.5	35	34	Ø 6X3
NBPFT0552015	55	M20x1.5	40	38	Ø 6X3
NBPFT0602015	60	M20x1.5	40	42	Ø 7X3
NBPFT0702420	70	M24x2	45	50	Ø 8.5X3
NBPFT0802720	80	M27X2	45	60	Ø 8.5X3
NBPFT0852720	85	M27X2	45	65	Ø 8.5X3
NBPFT0903320	90	M33X2	50	68	Ø 7.5X5
NBPFT1003320	100	M33X2	50	76	Ø 9X5
NBPFT1103930	110	M39X3	55	86	Ø 9X5
NBPFT1203930	120	M39X3	55	93	Ø 11X5

Materiale di produzione\* : Acciaio C45  
 Production material\* : Steel 080M46  
 Werkstoff\* : Stahl CK45  
 Matériel de production\* : Acier C45  
 Material de fabricación\* : Acero C45

Materiale di produzione : Acciaio 11SMn30 - C45  
 Production material : Steel 11SMn30 - 080M46  
 Werkstoff : Stahl 11SMn30 - CK45  
 Matériel de production : Acier 11SMn30 - C45  
 Material de fabricación : Acero 11SMn30 - C45



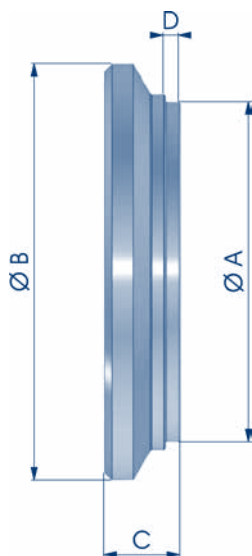
**PISTONE BASSO PER TUFFANTE**  
**SHORT PISTON FOR PLUNGER CYLINDER KURZERER KOLBEN FÜR TAUCHKOLBENZYLINDER**  
**PISTON COURT POUR VÉRIN PLONGEUR PISTÓN CORTO SUMERGIDO**



COD.	A	B	C	D	E
NBPBT0003012	30	12	14	20	Ø 3.5X3
NBPBT0003514	35	14	14	23	Ø 4.5X3
NBPBT0004014	40	14	14	27	Ø 4.5X3
NBPBT0004516	45	16	14	31	Ø 4.5X3
NBPBT0005020	50	20	14	34	Ø 6X3
NBPBT0005520	55	20	18	38	Ø 6X3
NBPBT0006020	60	20	18	42	Ø 7X3
NBPBT0007024	70	24	18	50	Ø 8.5X3
NBPBT0008027	80	27	18	60	Ø 8.5X3
NBPBT0008527	85	27	18	65	Ø 8.5X3
NBPBT0009033	90	33	18	68	Ø 7.5X5
NBPBT0010033	100	33	18	76	Ø 9X5
NBPBT0011039	110	39	18	86	Ø 9X5
NBPBT0012039	120	39	18	93	Ø 11X5



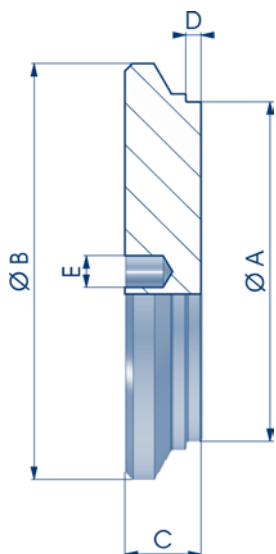
FONDELLO  
END PLUG ZYLINDERBODEN  
FOND FONDO



NEW	COD.	A	B	C	D
	NBF000025035	25	35	7	2
	NBF000030040	30	40	8	2
	NBF000032042	32	42	8	2
	NBF000035045	35	45	10	2
	NBF000040050	40	50	10	2
	NBF000045055	45	55	10	2
	NBF000050060	50	60	10	2
	NBF000055065	55	65	12	2
	NBF000060070	60	70	12	2
	NBF000063073	63	73	12	2
	NBF000063075	63	75	12	2
	NBF000065075	65	75	12	2
	NBF000065080	65	80	12	2
	NBF000070080	70	80	12	2
	NBF000070085	70	85	12	2
	NBF000075090	75	90	12	2
	NBF000080090	80	90	12	2
	NBF000080092	80	92	12	2
	NBF000080095	80	95	12	2
	NBF000085095	85	95	12	2
	NBF000085100	85	100	15	2
	NBF000090102	90	102	15	2
	NBF000090105	90	105	15	2
	NBF000100115	100	115	15	2
	NBF000110125	110	125	15	2
	NBF000110130	110	130	15	2
	NBF000120140	120	140	18	2
	NBF000125145	125	145	18	2
•	NBF000130150	130	150	18	2
	NBF000140160	140	160	18	2
	NBF000150170	150	170	20	2
	NBF000160180	160	180	20	2



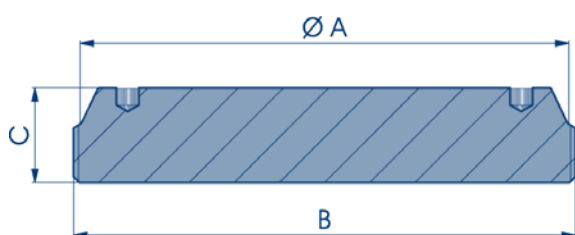
**FONDELLO CON CENTRINO**  
**END PLUG WITH CENTRAL DRILLING ZYLINDERBODEN MIT ZENTRIERUNG**  
**FOND AVEC CENTRAGE FONDO CON CENTRAJE**



COD.	A	B	C	D	E
NBFC00025035	25	35	7	2	3.2X3
NBFC00030040	30	40	8	2	4.2X4
NBFC00032042	32	42	8	2	4.2X4
NBFC00035045	35	45	10	2	4.2X5
NBFC00040050	40	50	10	2	4.2X5
NBFC00045055	45	55	10	2	4.2X5
NBFC00050060	50	60	10	2	4.2X5
NBFC00055065	55	65	12	2	4.2X6
NBFC00060070	60	70	12	2	4.2X6
NBFC00063073	63	73	12	2	4.2X6
NBFC00065075	65	75	12	2	4.2X6
NBFC00065080	65	80	12	2	4.2X6
NBFC00070080	70	80	12	2	4.2X6
NBFC00070085	70	85	12	2	4.2X6
NBFC00075090	75	90	12	2	4.2X6
NBFC00080090	80	90	12	2	4.2X6
NBFC00080092	80	92	12	2	4.2X6
NBFC00080095	80	95	12	2	4.2X6
NBFC00085100	85	100	15	2	4.2X6
NBFC00090105	90	105	15	2	4.2X6
NBFC00100115	100	115	15	2	4.2X6



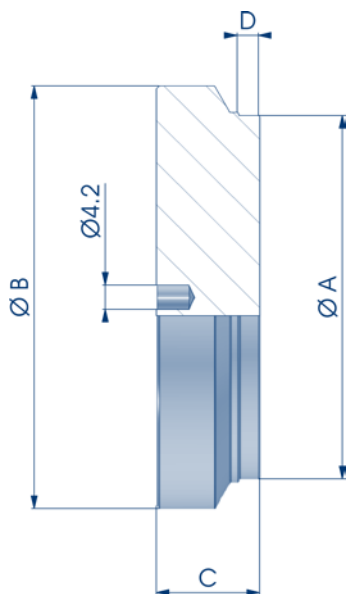
**FONDELLO FILETTATO**  
**THREADED END PLUG ZYLINDERBODEN MIT GEWINDE**  
**FOND FILETÉ FONDO ROSCADO**



NEW	COD.	A	B	C
•	NBF000080085	80	M85X2	22
•	NBF000090095	90	M95X2	25
•	NBF000100105	100	M105X2	25
•	NBF000110115	110	M115X2	25
•	NBF000120125	120	M125X2	30
•	NBF000130135	130	M135X2	30
•	NBF000140145	140	M145X2	30
•	NBF000150155	150	M155X2	30
•	NBF000160165	160	M165X2	35
•	NBF000170175	170	M175X2	35
	NBF000180185	180	M185X2.5	35
	NBF000200205	200	M205X2.5	48
	NBF000220225	220	M225X2.5	48
	NBF000250255	250	M255X2.5	48



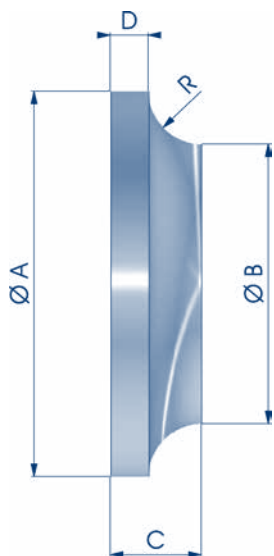
FONDELLO PESANTE  
HEAVY END PLUG SCHWERER ZYLINDERBODEN  
FOND LOURD FONDO PESADO



NEW	COD.	A	B	C	D
	NBFP050060017	50	60	17	4
	NBFP050065018	50	65	18	4
	NBFP060070019	60	70	19	4
	NBFP060075019	60	75	19	4
	NBFP063078022	63	78	22	4
	NBFP070080022	70	80	22	4
	NBFP070085022	70	85	22	4
	NBFP075090022	75	90	22	4
	NBFP080095025	80	95	25	4
	NBFP080100025	80	100	25	4
	NBFP085100025	85	100	25	4
	NBFP090105026	90	105	26	4
	NBFP090110026	90	110	26	4
	NBFP100115030	100	115	30	4
	NBFP100120030	100	120	30	4
	NBFP110125031	110	125	31	7
	NBFP110130031	110	130	31	7
	NBFP120140034	120	140	34	7
	NBFP125145035	125	145	35	7
•	NBFP130150035	130	150	35	7
	NBFP140160040	140	160	40	7
	NBFP140170040	140	170	40	7
	NBFP150170042	150	170	42	7
	NBFP160180045	160	180	45	7
	NBFP160190045	160	190	45	10



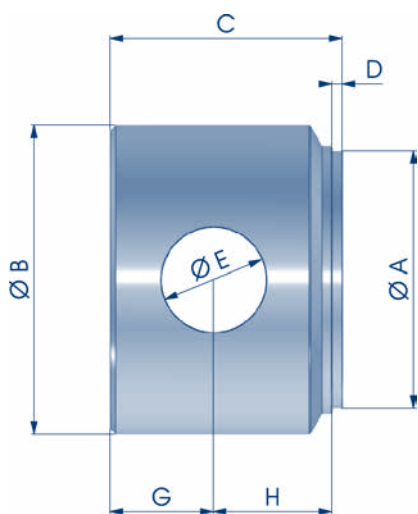
**FONDELLO INTERNO**  
**INTERNAL END PLUG INNERER ZYLINDERBODEN**  
**FOND INTÉRIEUR FONDO INTERNO**



COD.	A	B	C	D	R
NBFIR0410012	41	27	12	5	7
NBFIR0510012	51	37	12	5	7
NBFIR0610015	61	45	15	7	8
NBFIR0640015	64	48	15	7	8
NBFIR0660015	66	50	15	7	8
NBFIR0710015	71	56	15	7.5	7.5
NBFIR0810017	81	65	17	9	8
NBFIR0910017	91	75	17	9	8
NBFIR1010020	101	81	20	10	10



**FONDELLO FORATO**  
**HOLED END PLUG ZYLINDERBODEN MIT BOHRUNG**  
**FOND PERCÉ FONDO PERFORADO**

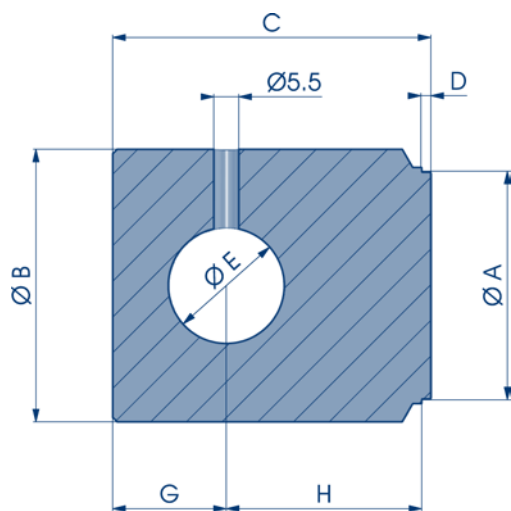


COD.	A	B	C	D	E	G	H
NBFF04005016	40	50	35	2	16.2	15	18
NBFF05006020	50	60	45	2	20.25	20	23
NBFF06007025	60	70	50	2	25.25	22.5	25.5
NBFF06307325	63	73	50	2	25.25	22.5	25.5
NBFF06307525	63	75	50	2	25.25	22.5	25.5
NBFF07008025	70	80	50	2	25.25	22.5	25.5
NBFF08009530	80	95	60	2	30.25	25	33
NBFF10011535	100	115	70	2	35.25	30	38





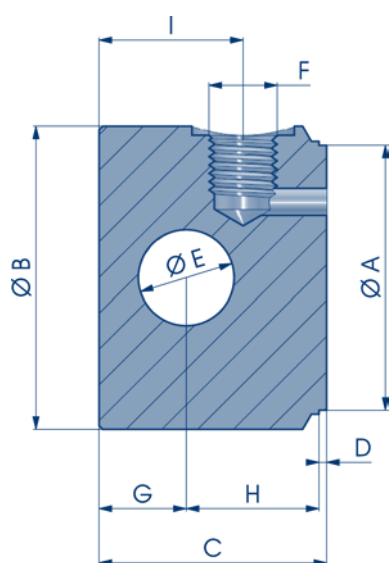
**FONDELLO FORATO LUNGO**  
**LONG HOLED END PLUG LANGER ZYLINDERBODEN MIT BOHRUNG**  
**FOND PERCÉ LONG FONDO PERFORADO LARGO**



COD.	A	B	C	D	E	G	H
NBFFL0035025	25	35	30	2	12.1	12	16
NBFFL0040032	32	40	40	2	16	17	21
NBFFL0050040	40	50	49	2	20.5	19	28
NBFFL0060050	50	60	70	2	25.5	25	43
NBFFL0070060	60	70	52	2	25.5	25	25
NBFFL0080070	70	80	62	2	30.5	25	35
NBFFL0090080	80	90	62	2	30.5	25	35
NBFFL0115100	100	115	70	2	30.5	34	34



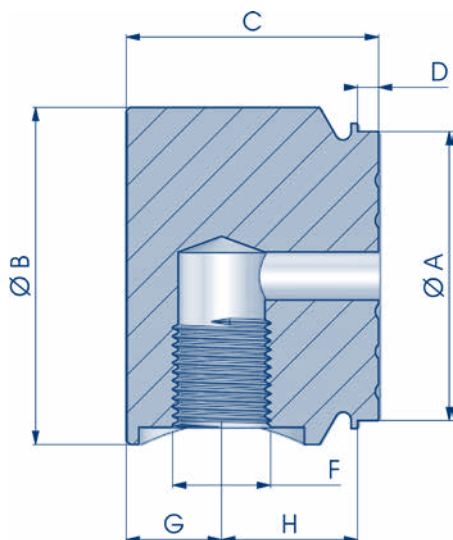
**FONDELLO FORATO CON ENTRATA OLIO**  
**HOLED END PLUG WITH OIL INPUT ZYLINDERBODEN MIT BOHRUNG MIT ÖLEINLASS**  
**FOND PERCÉ AVEC ENTRÉE HUILE FONDO PERFORADO CON ENTRADA DE ACEITE**



COD.	A	B	C	D	E	F	G	H	I
NBFFE0400500	40	50	50	2	16.2	1/4"	15	33	30
NBFFE0500600	50	60	60	2	20.25	3/8"	20	38	38
NBFFE0600700	60	70	60	2	25.25	3/8"	23	35	38
NBFFE0700800	70	80	60	2	25.25	3/8"	23	35	38
NBFFE0800950	80	95	75	2	30.25	1/2"	25	48	47
NBFFE1001150	100	115	75	2	35.25	1/2"	30	43	47



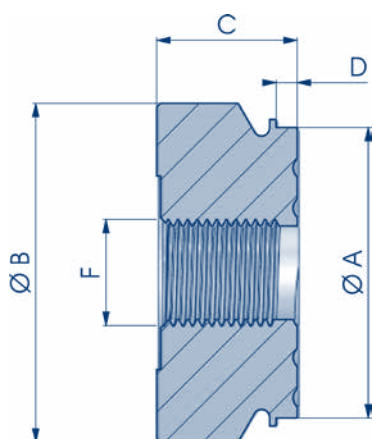
**FONDELLO FILETTATO RADIALE**  
**RADIAL THREADED END PLUG RADIALEN ZYLINDERBODEN MIT GEWINDE**  
**FOND FILETÉ RADIAL FONDO ROSCADO RADIAL**



NEW	COD.	ØA	ØB	C	D	F	G	H
•	NBFPK0320401/4R	32	39.5	38	3	1/4"	14	21
•	NBFPK0350451/4R	35	44	38	3	1/4"	14	21
•	NBFPK0400501/4R	40	49	43	3	1/4"	16	24
•	NBFPK0400503/8R	40	49	43	3	3/8"	16	24
•	NBFPK0500603/8R	50	59	48	3	3/8"	19	26
•	NBFPK0500601/2R	50	59	48	3	1/2"	19	26
•	NBFPK0600703/8R	60	69	48	3	3/8"	19	26
•	NBFPK0600701/2R	60	69	48	3	1/2"	19	26
•	NBFPK0630733/8R	63	73	48	3	3/8"	19	26
•	NBFPK0630731/2R	63	73	48	3	1/2"	19	26
•	NBFPK0700803/8R	70	79	48	3	3/8"	19	26
•	NBFPK0700801/2R	70	79	48	3	1/2"	19	26
•	NBFPK0800923/8R	80	92	58	3	3/8"	23	32
•	NBFPK0800921/2R	80	92	58	3	1/2"	23	32
•	NBFPK0800923/4R	80	92	58	3	3/4"	23	32
•	NBFPK0901051/2R	90	104	69	4	1/2"	26	39
•	NBFPK0901053/4R	90	104	69	4	3/4"	26	39
•	NBFPK0901050/1R	90	104	69	4	1"	26	39
•	NBFPK1001151/2R	100	114	69	4	1/2"	27	38
•	NBFPK1001150/1R	100	114	69	4	1"	27	38
•	NBFPK1101251/2R	110	124	69	4	1/2"	27	38
•	NBFPK1251450/1R	125	144	69	4	1"	27	38



**FONDELLO FILETTATO ASSIALE**  
**AXIAL THREADED END PLUG AXIALEN ZYLINDERBODEN MIT GEWINDE**  
**FOND FILETÉ AXIAL FONDO ROSCADO AXIL**

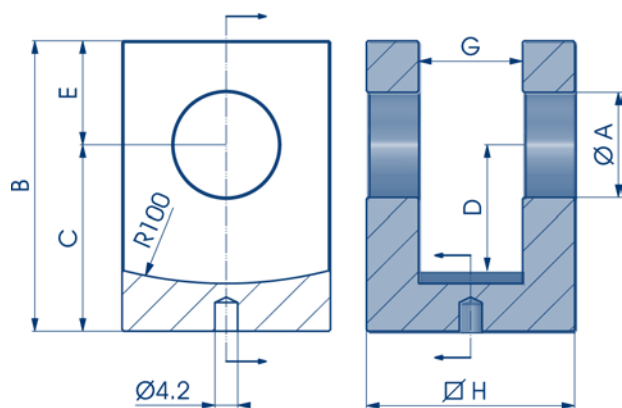


NEW	COD.	A	B	C	D	F
•	NBFPK0320401/4A	32	39.5	18	3	1/4"
•	NBFPK0350451/4A	35	44	18	3	1/4"
•	NBFPK0400501/4A	40	49	22	3	1/4"
•	NBFPK0400503/8A	40	49	22	3	3/8"
•	NBFPK0500603/8A	50	59	22	3	3/8"
•	NBFPK0500601/2A	50	59	22	3	1/2"
•	NBFPK0600703/8A	60	69	24	3	3/8"
•	NBFPK0600701/2A	60	69	24	3	1/2"
•	NBFPK0630733/8A	63	73	24	3	3/8"
•	NBFPK0630731/2A	63	73	24	3	1/2"
•	NBFPK0700803/8A	70	79	24	3	3/8"
•	NBFPK0700801/2A	70	79	24	3	1/2"
•	NBFPK0800923/8A	80	92	26	3	3/8"
•	NBFPK0800921/2A	80	92	26	3	1/2"
•	NBFPK0800923/4A	80	92	26	3	3/4"
•	NBFPK0901051/2A	90	104	32	4	1/2"
•	NBFPK0901053/4A	90	104	32	4	3/4"
•	NBFPK0901050/1A	90	104	32	4	1"
•	NBFPK1001151/2A	100	114	32	4	1/2"
•	NBFPK1001150/1A	100	114	32	4	1"
•	NBFPK1101251/2A	110	124	35	4	1/2"
•	NBFPK1251450/1A	125	144	35	4	1"

Materiale di produzione : Acciaio S355JR - ASTM A105  
 Production material : Steel S355JR - ASTM A105  
 Werkstoff : Stahl S355JR - ASTM A105  
 Matériel de production : Acier S355JR - ASTM A105  
 Material de fabricación : Acero S355JR - ASTM A105



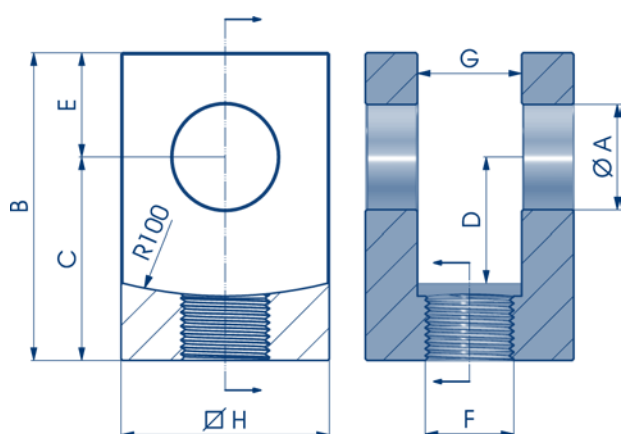
**FORCELLA A SALDARE**  
**WELDABLE FORK SCHWEIßBARE GABEL**  
**CHAPE À SOUDER HORQUILLA PARA SOLDAR**



COD.	A	B	C	D	E	G	H
NBFS00000016	16.2	50	34	24	16	16	35
NBFS00000020	20.25	60	40	30	20	20	40
NBFS00000025	25.25	70	45	30	25	25	50



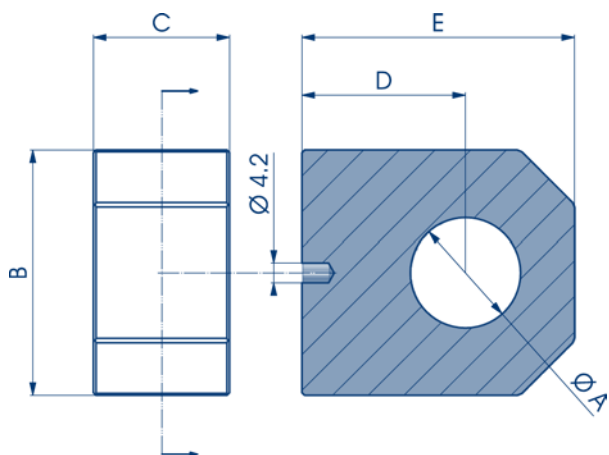
**FORCELLA FILETTATA**  
**THREADED FORK GABEL MIT GEWINDE**  
**CHAPE FILETÉE HORQUILLA ROSCADA**



COD.	A	B	C	D	E	F	G	H
NBFFIL161615	16.2	55	39	24	16	M16X1.5	16	35
NBFFIL202015	20.25	65	45	30	20	M20X1.5	20	40
NBFFIL252420	25.25	75	50	30	25	M24X2	25	50



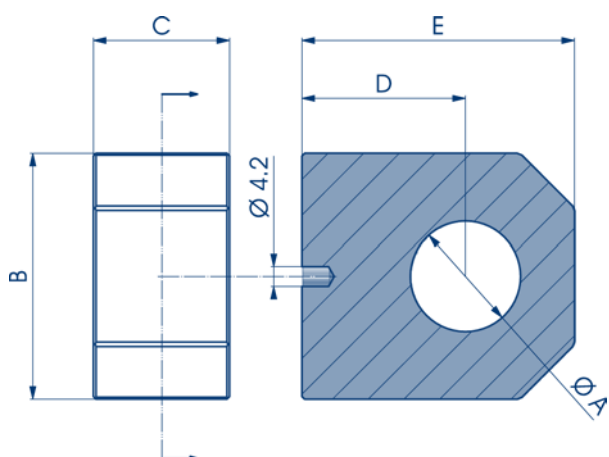
**TERMINALE FISSO FORCELLA**  
**FORK FIXED TERMINAL FESTES ZYLINDERENDE FÜR GABEL**  
**TERMINAL FIXE POUR CHAPE TERMINAL FIJO HORQUILLA**



COD.	A	B	C	D	E
NBAFSF000016	16.2	35	16	25	42
NBAFSF000020	20.2	40	20	30	50
NBAFSF000025	25.2	50	25	35	60
NBAFSF000030	30.2	60	30	45	75
NBAFSF000035	35.2	70	35	55	90
NBAFSF000040	40.2	80	40	60	95



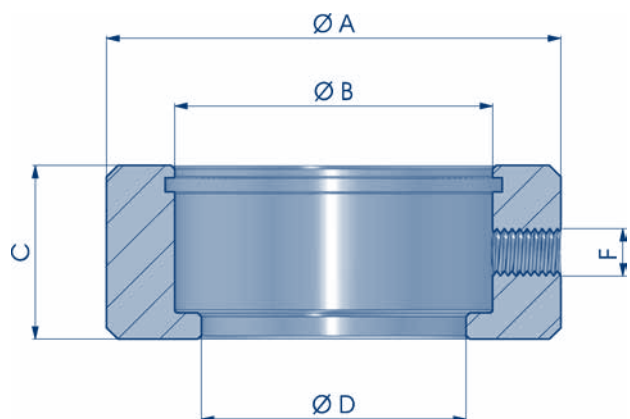
**TERMINALE FISSO**  
**FIXED TERMINAL FESTES ZYLINDERENDE**  
**TERMINAL FIXE TERMINAL FIJO**



COD.	A	B	C	D	E
NBAFS0000016	16,2	35	20	25	42
NBAFS0000020	20,2	45	25	30	50
NBAFS0000025	25,2	50	30	35	60
NBAFS0000030	30,2	60	35	45	75
NBAFS0000035	35,2	70	40	55	90
NBAFS0000040	40,2	70	40	60	95



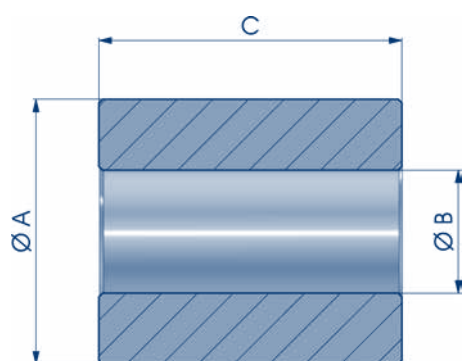
**ANELLO GE**  
**GE RING GE-RING**  
**ANNEAU GE ANILLO GE**



<b>COD.</b>	<b>A</b>	<b>B</b>	<b>C</b>	<b>D</b>	<b>F</b>
NBANGE0401515	40	26	15	22	M6
NBANGE0501920	50	35	19	29	M6
NBANGE0602325	60	42	23	35	M6
NBANGE0702830	70	47	28	40	M6
NBANGE0853035	85	55	30	47	M6
NBANGE0953540	95	62	35	53	M6
NBANGE1104045	110	68	40	59	M6
NBANGE1204050	120	75	40	66	M6
NBANGE1385060	138	90	50	80	M6



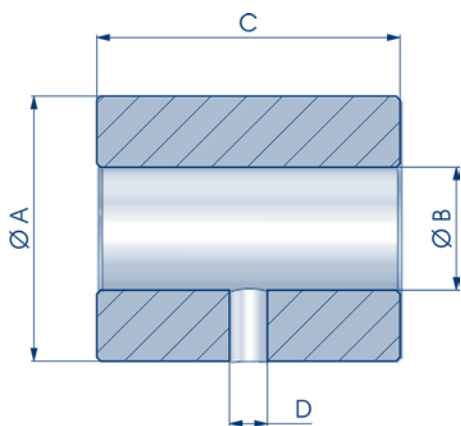
**BOCCOLA**  
**BUSH BUCHSE**  
**BAGUE BUJE**



<b>COD.</b>	<b>A</b>	<b>B</b>	<b>C</b>
NBBS16035030	35	16.25	30
NBBS16035060	35	16.25	60
NBBS20040040	40	20.25	40
NBBS20040070	40	20.25	70
NBBS25050050	50	25.25	50
NBBS25050080	50	25.25	80
NBBS25050090	50	25.25	90
NBBS30060060	60	30.25	60
NBBS30060110	60	30.25	110
NBBS40070070	70	40.25	70
NBBS40070130	70	40.25	130



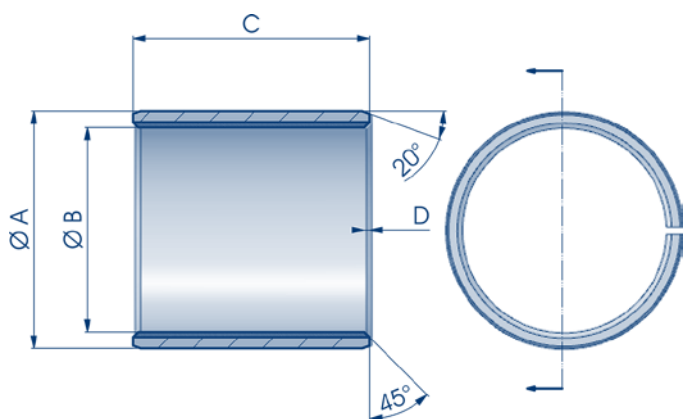
**BOCCOLA CON FORO**  
**BUSH WITH HOLE BUCHSE MIT BOHRUNG**  
**BAGUE AVEC TROU BUJE CON PERFORACIÓN**



COD.	A	B	C	D
NBBSF12025025	25	12.10	25	5.5
NBBSF16030035	30	16.25	35	5.5
NBBSF20035040	35	20.25	40	5.5
NBBSF20040040	40	20.25	40	5.5
NBBSF25040045	40	25.25	45	5.5
NBBSF25050045	50	25.25	45	5.5
NBBSF30050055	50	30.25	55	5.5
NBBSF30060070	60	30.25	70	5.5
NBBSF30065070	65	30.25	70	5.5
NBBSF35065060	65	35.50	60	5.5
NBBSF35065120	65	35.50	120	5.5
NBBSF50085080	85	50.50	80	5.5
NBBSF50085140	85	50.50	140	5.5



**BOCCOLA AUTOLUBRIFICANTE SL**  
**SELF LUBRICATING BUSH SL SELBSTSCHMIERENDE BUCHSE SL**  
**BAGUE AUTOLUBRIFIANTE SL BUJE AUTOLUBRICADO SL**



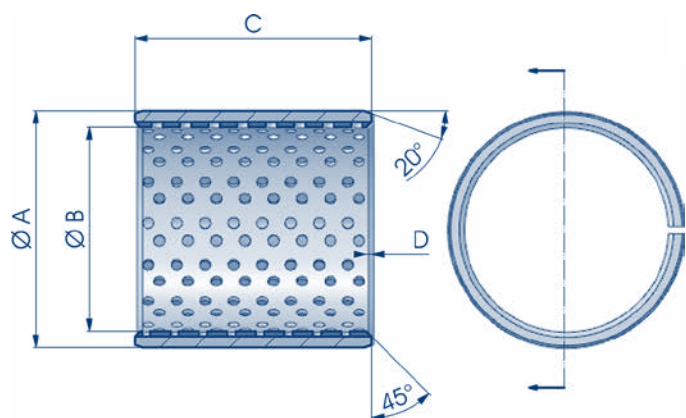
COD.	A	B	C	D
NBBAUSL202310*	23	20	10	0.4
NBBAUSL202320*	23	20	20	0.4
NBBAUSL252815*	28	25	15	0.4
NBBAUSL252820*	28	25	20	0.4
NBBAUSL252825*	28	25	25	0.4
NBBAUSL303420*	34	30	20	0.6
NBBAUSL303430*	34	30	30	0.6
NBBAUSL303440*	34	30	40	0.6
NBBAUSL353920*	39	35	20	0.6
NBBAUSL353930*	39	35	30	0.6
NBBAUSL353940*	39	35	40	0.6
NBBAUSL353950*	39	35	50	0.6
NBBAUSL404420*	44	40	20	0.6
NBBAUSL404430*	44	40	30	0.6
NBBAUSL404440*	44	40	40	0.6
NBBAUSL404450*	44	40	50	0.6

Materiale di produzione : Acciaio S355JR  
Production material : Steel S355JR  
Werkstoff : Stahl S355JR  
Matériel de production : Acier S355JR  
Material de fabricación : Acero S355JR

Materiale di produzione\* : Acciaio + PTFE  
Production material\* : Steel + PTFE  
Werkstoff\* : Stahl + PTFE  
Matériel de production\* : Acier + PTFE  
Material de fabricación\* : Acero + PTFE



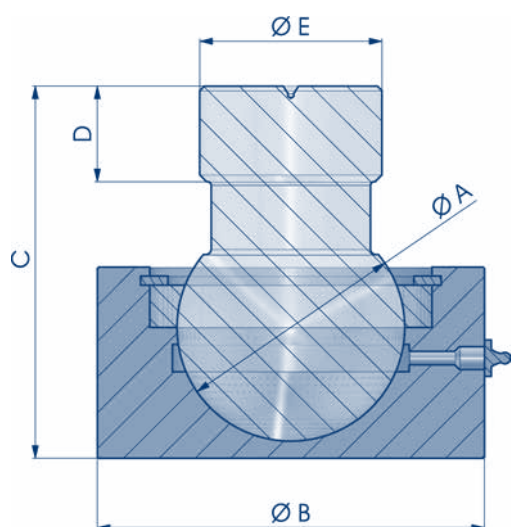
**BOCCOLA AUTOLUBRIFICANTE RK**  
**SELF LUBRICATING BUSH RK SELBSTSCHMIERENDE BUCHSE RK**  
**BAGUE AUTOLUBRIFIANTE RK BUJE AUTOLUBRICADO RK**



COD.	A	B	C	D
NBBAURK202310	23	20	10	0.4
NBBAURK202320	23	20	20	0.4
NBBAURK252815	28	25	15	0.4
NBBAURK252820	28	25	20	0.4
NBBAURK252825	28	25	25	0.4
NBBAURK303420	34	30	20	0.6
NBBAURK303430	34	30	30	0.6
NBBAURK303440	34	30	40	0.6
NBBAURK353920	39	35	20	0.6
NBBAURK353930	39	35	30	0.6
NBBAURK353940	39	35	40	0.6
NBBAURK353950	39	35	50	0.6
NBBAURK404420	44	40	20	0.6
NBBAURK404430	44	40	30	0.6
NBBAURK404440	44	40	40	0.6
NBBAURK404450	44	40	50	0.6



**BASE OSCILLANTE**  
**SWINGING END SCHWINGENDES ENDE**  
**BASE OSCILLANTE BASE OSCILANTE**



COD.	A	B	C	D	E
NBBAOS050000*	50	85	82	20	40
NBBAOS060000*	60	98	100	25	50
NBBAOS070000*	70	105	115	30	60

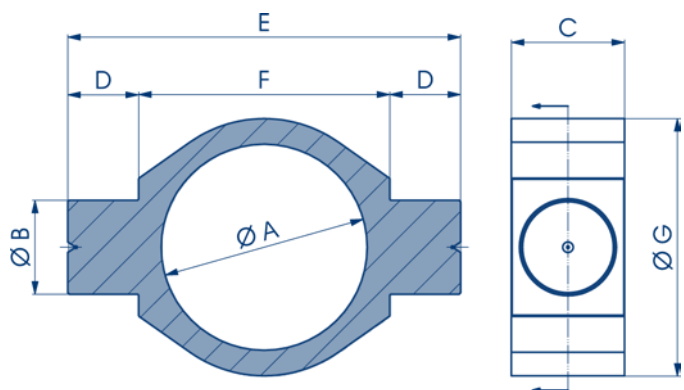
Materiale di produzione : Acciaio + POM  
Production material : Steel + POM  
Werkstoff : Stahl + POM  
Matériel de production : Acier + POM  
Material de fabricación : Acero + POM

Materiale di produzione\* : Acciaio C45  
Production material\* : Steel 080M46  
Werkstoff\* : Stahl CK45  
Matériel de production\* : Acier C45  
Material de fabricación\* : Acero C45





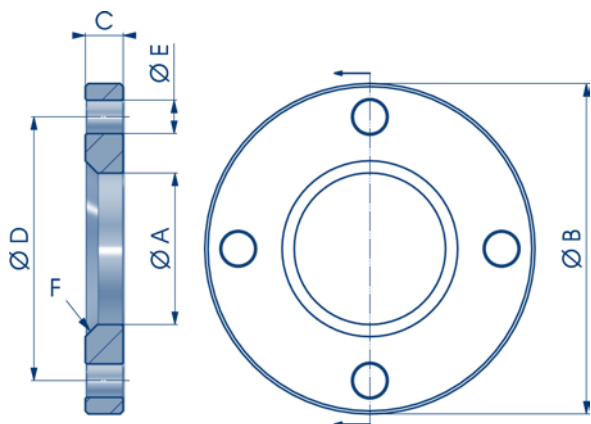
**COLLARE BASCULANTE CON PERNI**  
**TILTING COLLAR WITH PIVOTS SCHWENKBARER RING MIT STIFTEN**  
**TOURILLON OSCILLANT AVEC PIVOTS ABRAZADERA BASCULANTE CON PERNOS**



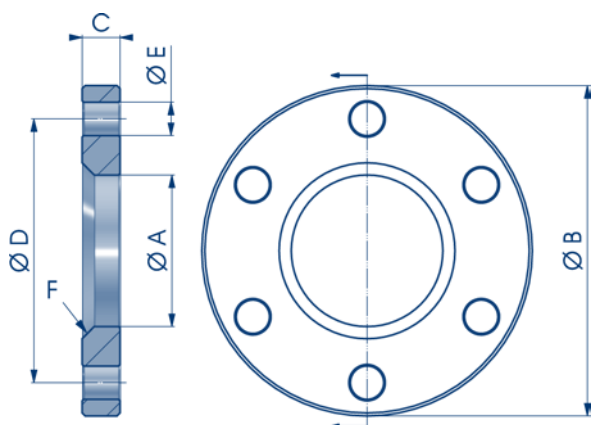
NEW	COD.	A	B	C	D	E	F	G
	NBPEBAS040	40	15	25	17,5	95	60	52
	NBPEBAS050	50	20	30	20	110	70	65
	NBPEBAS060	60	25	35	25	130	80	75
	NBPEBAS070	70	30	45	30	160	100	90
	NBPEBAS080	80	35	50	35	180	110	100
	NBPEBAS092	92	40	55	40	195	115	115
	NBPEBAS095	95	40	55	40	195	115	115
	NBPEBAS105	105	45	60	45	215	125	125
	NBPEBAS115	115	50	70	50	245	145	145
	NBPEBAS140	140	60	80	60	290	170	170
	NBPEBAS160	160	70	88	55	305	195	187
•	NBPEBAS180	180	80	105	60	350	230	225



FLANGIA  
FLANGE FLANSCH  
FLASQUE BRIDA



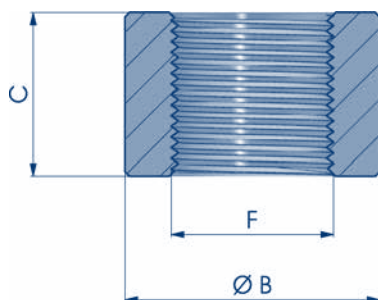
COD.	A	B	C	D	E	F
NBFLA0109050	50	109	12,5	87	4xØ11	4x45°
NBFLA0128060	60	128	14,5	105	4xØ13	4x45°
NBFLA0142070	70	142	16,5	117	4xØ13	5x45°
NBFLA0162080	80	162	16,5	127	4xØ15	5x45°



COD.	A	B	C	D	E	F
NBFLA0181092	92	181	18,5	149	6xØ17	7x45°
NBFLA0181095	95	181	18,5	149	6xØ17	7x45°
NBFLA0194115	115	194	24,5	162	6xØ17	8x45°



**BORCHIA**  
**PORT ANSCHLUSS**  
**BOSSAGE ROSCA**

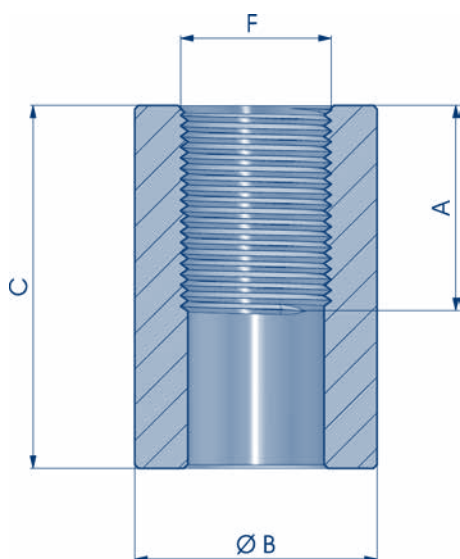


COD.	F	B	C
NBBORSG1/8	1/8"	19	16
NBBORSG1/4	1/4"	22	16
NBBORSG3/8	3/8"	26	17
NBBORSG1/2	1/2"	30	18.3
NBBORSG3/4	3/4"	36	20.4
NBBORSG1	1"	45	24.5

COD.	F	B	C
NBBORSM1415	M14X1.5	22	14
NBBORSM1615	M16X1.5	24	14
NBBORSM1815	M18X1.5	28	18
NBBORSM2015	M20X1.5	30	18
NBBORSM2215	M22X1.5	30	18.5



**BORCHIA PASSANTE LUNGA**  
**LONG THROUGH-PORT LANGER DURCHGANGSANSCHLUSS**  
**BOSSAGE HAUT DE PASSAGE ROSCA DE PASO LARGO**

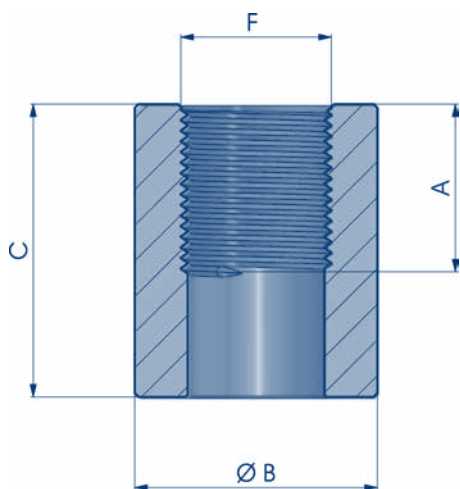


COD.	F	C	B	A
NBBORSPLG1/4	1/4"	40	22	28
NBBORSPLG3/8	3/8"	42	26	30
NBBORSPLG1/2	1/2"	50	30	35

COD.	F	C	B	A
NBBORSPLM16	M16X1.5	40	22	28
NBBORSPLM18	M18X1.5	42	26	30
NBBORSPLM22	M22X1.5	50	30	35



**BORCHIA PASSANTE**  
**THROUGH-PORT DURCHGANGSANSCHLUSS**  
**BOSSAGE DE PASSAGE ROSCA DE PASO**

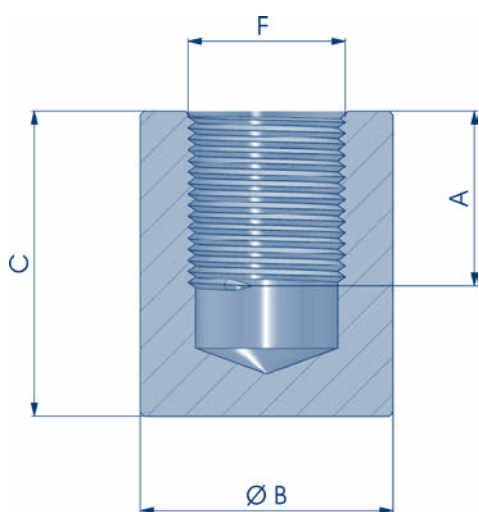


COD.	F	C	B	A
NBBORSPG1/4	1/4"	30	22	14
NBBORSPG3/8	3/8"	35	26	16
NBBORSPG1/2	1/2"	35	30	18

COD.	F	C	B	A
NBBORSPM16	M16X1.5	30	22	14
NBBORSPM18	M18X1.5	35	26	16
NBBORSPM22	M22X1.5	35	30	18



**BORCHIA CIECA**  
**BLIND PORT ANSCHLUSS MIT SACKLOCH**  
**BOSSAGE AVEUGLE ROSCA CIEGA**

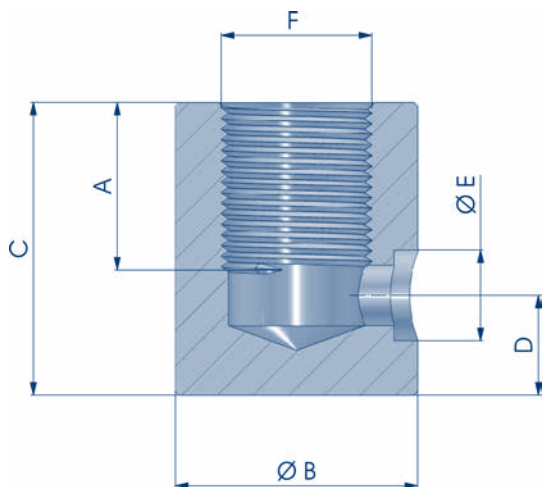


COD.	F	C	B	A
NBBORCLG1/4	1/4"	30	22	14
NBBORCLG3/8	3/8"	35	26	16
NBBORCLG1/2	1/2"	35	30	18

COD.	F	C	B	A
NBBORSCLM16	M16X1.5	30	22	14
NBBORSCLM18	M18X1.5	35	26	16
NBBORSCLM22	M22X1.5	35	30	18



**BORCHIA CIECA PER TUBINO**  
**BLIND PORT FOR SMALL TUBE ANSCHLUSS FÜR KLEINES ROHR**  
**BOSSAGE AVEUGLE POUR PETIT TUBE ROSCA CIEGA PARA TUBO PEQUEÑO**

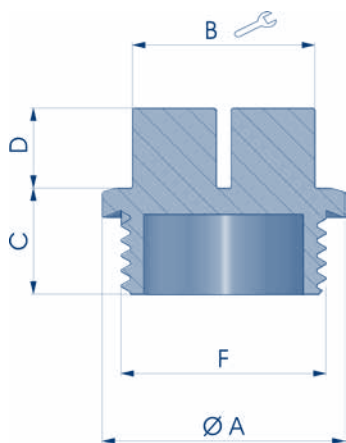


COD.	F	C	B	A	D	E
NBBORCTG1/4	1/4"	30	22	14	11	10.5
NBBORCTG3/8	3/8"	35	26	16	12	12.5
NBBORCTG1/2	1/2"	35	30	18	13	15.5

COD.	F	C	B	A	D	E
NBBORCTM16	M16X1.5	30	22	14	11	10.5
NBBORCTM18	M18X1.5	35	26	16	12	12.5
NBBORCTM22	M22X1.5	35	30	18	13	15.5



**TAPPO DI PROTEZIONE**  
**PROTECTION CAP SCHUTZKAPPE**  
**BOUCHON DE PROTECTION TAPÓN DE PROTECCIÓN**



COD.	F	A	B	C	D
NBTFPLG1/8*	1/8"	17	13	11	8
NBTFPLG1/4*	1/4"	19	13	10	8
NBTFPLG3/8*	3/8"	22	17	11	9
NBTFPLG1/2*	1/2"	27	19	14	11
NBTFPLG3/4*	3/4"	32	24	14	11
NBTFPLG1*	1"	40	27	18	11

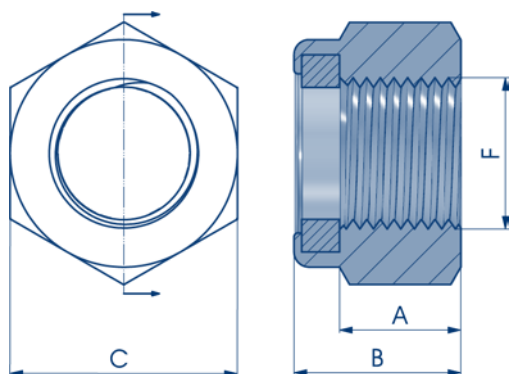
COD.	F	A	B	C	D
NBTFPLM1415*	M14X1.5	19	13	12	8
NBTFPLM1615*	M16X1.5	22	17	12	8
NBTFPLM1815*	M18X1.5	24	17	12	9
NBTFPLM2015*	M20X1.5	26	19	12	12
NBTFPLM2215*	M22X1.5	27	19	12	12

Materiale di produzione : Acciaio S355J2C  
 Production material : Steel S355J2C  
 Werkstoff : Stahl S355J2C  
 Matériel de production : Acier S355J2C  
 Material de fabricación : Acero S355J2C

Materiale di produzione\* : Nylon PA 6  
 Production material\* : Nylon PA 6  
 Werkstoff\* : Nylon PA 6  
 Matériel de production\* : Nylon PA 6  
 Material de fabricación\* : Nylon PA 6



**DADO AUTOBLOCCANTE**  
**SELF-LOCKING NUT SELBSTSPERRENDE MUTTER**  
**ÉCROU AUTOBLOQUANT TUERCA AUTOBLOQUEANTE**




<b>COD.</b>	<b>A</b>	<b>B</b>	<b>C</b>	<b>F</b>
NBDAA0001215	9.6	14.8	19	M12X1.5
NBDAA0001415	11.2	16.6	22	M14X1.5
NBDAA0001615	12.8	18	24	M16X1.5
NBDAA0002015	16	23	30	M20X1.5
NBDAA0002420	19.2	28	36	M24X2
NBDAA0002720	21.6	30.8	41	M27X2
NBDAA0003320	26.4	36	50	M33X2
NBDAA0003930	31.2	42	60	M39X3
NBDAA0004830	40	52	75	M48X3



# MA E BIONDI

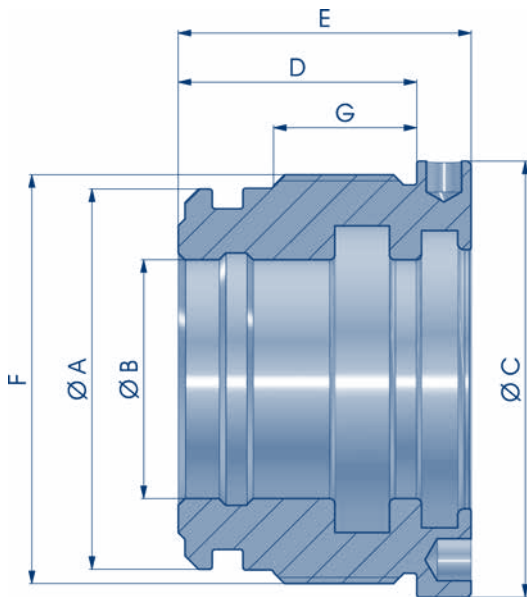
COMPONENTI IN POLLICI  
COMPONENTS IN INCHES  
KOMPONENTEN IN INCHES  
COMPOSANTS EN POUÇES  
COMPONENTES EN PULGADAS







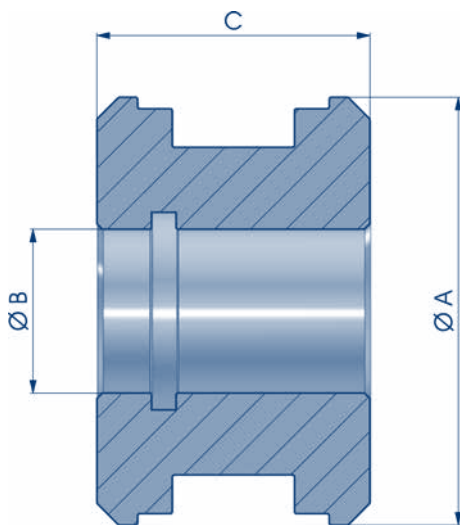
## TESTATA HEAD KOPF TÊTE CABEZA



NEW	COD.	A	B	C	D	E	F	G
•	NBT112034134IS	1"1/2	3/4"	1.874"	1.500"	1.811"	1"3/4-12UN	0.874"
•	NBT200118214IS	2"	1"1/8	2.510"	1.500"	1.874"	2"1/4-16UN	0.826"
•	NBT212118234IS	2"1/2	1"1/8	2.993"	1.875"	2.240"	2"3/4-16UN	0.905"
•	NBT212114234IS	2"1/2	1"1/4	2.993"	1.875"	2.240"	2"3/4-16UN	0.905"
•	NBT212112234IS	2"1/2	1"1/2	2.993"	1.875"	2.240"	2"3/4-16UN	0.905"
•	NBT300112314IS	3"	1"1/2	3.503"	1.925"	2.299"	3"1/4-16UN	1.181"
•	NBT300134314IS	3"	1"3/4	3.503"	1.925"	2.299"	3"1/4-16UN	1.181"
•	NBT312134334IS	3"1/2	1"3/4	4.015"	2.000"	2.374"	3"3/4-12UN	1.250"
•	NBT312200334IS	3"1/2	2"	4.015"	2.000"	2.374"	3"3/4-12UN	1.250"
•	NBT400200414IS	4"	2"	4.487"	2.751"	3.249"	4"1/4-12UN	1.771"
•	NBT400212414IS	4"	2"1/2	4.487"	2.751"	3.249"	4"1/4-12UN	1.771"
•	NBT500212514IS	5"	2"1/2	5.668"	2.874"	3.374"	5"1/4-12UN	1.968"
•	NBT500234514IS	5"	2"3/4	5.668"	2.874"	3.374"	5"1/4-12UN	1.968"
•	NBT500300514IS	5"	3"	5.668"	2.874"	3.374"	5"1/4-12UN	1.968"
•	NBT600300614IS	6"	3"	6.692"	3.124"	3.687"	6"1/4-12UN	2.164"
•	NBT600312614IS	6"	3"1/2	6.692"	3.124"	3.687"	6"1/4-12UN	2.164"



## PISTONE PISTON KOLBEN PISTON PISTÓN



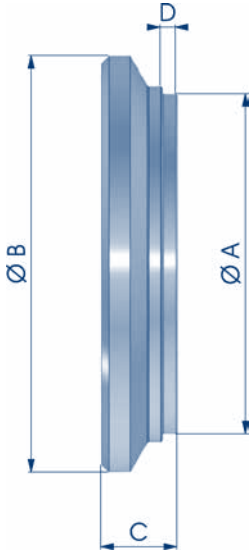
NEW	COD.	A	B	C
•	NBP1120630IS*	1"1/2	0.630"	1.000"
•	NBP2000787IS*	2"	0.787"	1.500"
•	NBP2120787IS*	2"1/2	0.787"	1.500"
•	NBP2120906IS*	2"1/2	0.906"	1.500"
•	NBP3001181IS*	3"	1.181"	1.750"
•	NBP3121299IS*	3"1/2	1.299"	1.750"
•	NBP4001299IS*	4"	1.299"	1.750"
•	NBP5001575IS*	5"	1.575"	2.188"
•	NBP6002047IS*	6"	2.047"	2.375"

Materiale di produzione : Ghisa GG 25  
 Production material : Cast iron GG 25  
 Werkstoff : Gusseisen GG 25  
 Matériel de production : Fonte grise GG 25  
 Material de fabricación : Hierro fundido GG 25

Materiale di produzione\* : Acciaio 11SMn30 - C45  
 Production material\* : Steel 11SMn30 - 080M46  
 Werkstoff\* : Stahl 11SMn30 - CK45  
 Matériel de production\* : Acier 11SMn30 - C45  
 Material de fabricación\* : Acero 11SMn30 - C45



FONDELLO  
END PLUG ZYLINDERBODEN  
FOND FONDO



NEW	COD.	A	B	C	D
•	NBF1121875IS	1"1/2	1.875"	0.500"	0.093"
•	NBF2002500IS	2"	2.500"	0.500"	0.125"
•	NBF2122963IS	2"1/2	2.963"	0.500"	0.125"
•	NBF3003543IS	3"	3.543"	0.590"	0.125"
•	NBF3123937IS	3"1/2	3.937"	0.690"	0.125"
•	NBF4004500IS	4"	4.500"	0.750"	0.125"
•	NBF5005709IS	5"	5.709"	0.880"	0.125"
•	NBF6006750IS	6"	6.750"	1.000"	0.125"



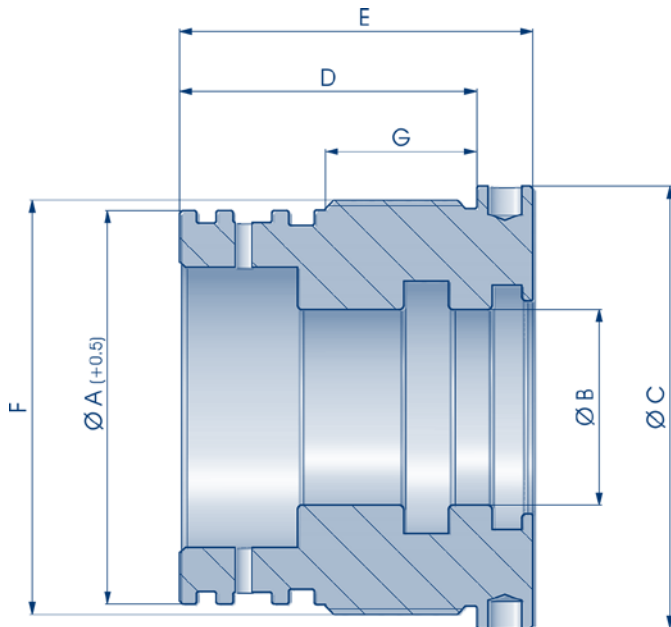
# NALDOND E BIONDI

COMPONENTI PER SISTEMA AUTOFREINANTE  
COMPONENTS FOR CUSHIONING SYSTEM  
KOMPONENTEN FÜR SELBSTBREMSENDES SYSTEM  
COMPOSANTS POUR SYSTÈME AUTO-FREINANT  
COMPONENTES PARA SISTEMA AUTOFREINANTE





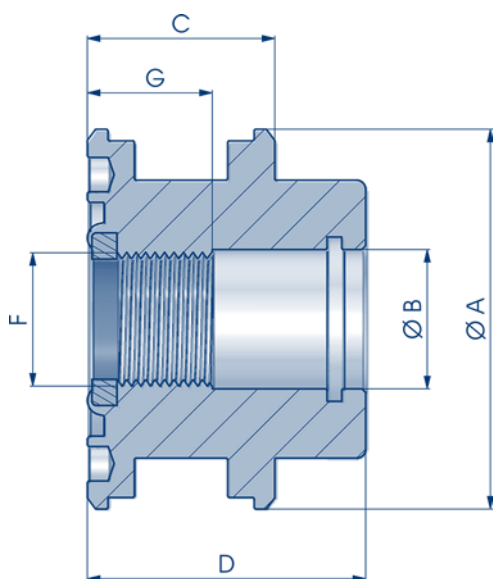
**TESTATA FRENANTE**  
**CUSHIONING HEAD BREMSKOPF**  
**TÊTE FREINANTE CABEZA FRENANTE**



COD.	A	B	C	D	E	F	G
NBTF05006025	50	25	59	48	56	M54X1.5	22
NBTF05006030	50	30	59	48	56	M54X1.5	22
NBTF06007030	60	30	69	53	63	M64X1.5	27
NBTF06007035	60	35	69	53	63	M64X1.5	27
NBTF06007040	60	40	69	53	63	M64X1.5	27
NBTF06307330	63	30	73	53	63	M68X1.5	25
NBTF06307335	63	35	73	53	63	M68X1.5	25
NBTF06307340	63	40	73	53	63	M68X1.5	25
NBTF07008030	70	30	79	53	63	M74X1.5	27
NBTF07008035	70	35	79	53	63	M74X1.5	27
NBTF07008040	70	40	79	53	63	M74X1.5	27
NBTF07008045	70	45	79	53	63	M74X1.5	27
NBTF08009235	80	35	92	63	73	M85X2	33
NBTF08009240	80	40	92	63	73	M85X2	33
NBTF08009245	80	45	92	63	73	M85X2	33
NBTF08009250	80	50	92	63	73	M85X2	33
NBTF10011540	100	40	114	83	95	M105X2	51
NBTF10011545	100	45	114	83	95	M105X2	51
NBTF10011550	100	50	114	83	95	M105X2	51
NBTF10011560	100	60	114	83	95	M105X2	51



**PISTONE FRENANTE AUTOBLOCCANTE**  
**SELF-LOCKING CUSHIONING PISTON SELBSTSPERRENDER BREMSKOLBEN**  
**PISTON FREINANT AUTOBLOQUANT PISTÓN FRENANTE AUTOBLOQUEANTE**



COD.	A	B	C	D	F	G
NBPAFR000050*	50	21	40	60	M20X1.5	28
NBPAFR000060*	60	25	45	65	M24X2	30
NBPAFR000063*	63	25	45	65	M24X2	30
NBPAFR000070*	70	25	45	65	M24X2	30
NBPAFR000080*	80	33	45	65	M30X2	30
NBPAFR000100*	100	35	50	75	M33X2	35

patent No. 0000279147

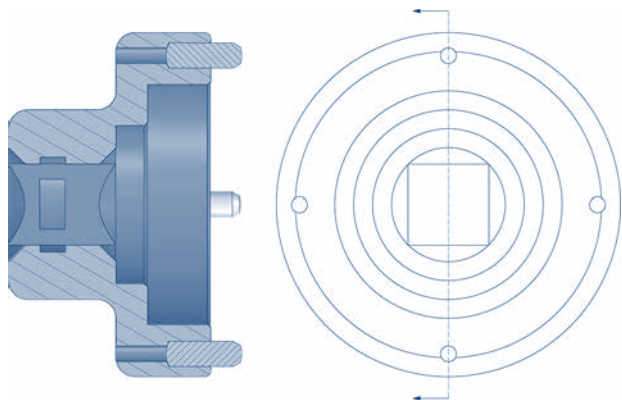
Materiale di produzione : Ghisa GG 25  
 Production material : Cast iron GG 25  
 Werkstoff : Gusseisen GG 25  
 Matériel de production : Fonte grise GG 25  
 Material de fabricación : Hierro fundido GG 25

Materiale di produzione\* : Acciaio 11SMn30  
 Production material\* : Steel 11SMn30  
 Werkstoff\* : Stahl 11SMn30  
 Matériel de production\* : Acier 11SMn30  
 Material de fabricación\* : Acero 11SMn30



## CHIAVE PER PISTONE FRENANTE AUTOBLOCCANTE

WRENCH FOR SELF-LOCKING CUSHIONING PISTON SCHLÜSSEL FÜR SELBSTSPER. BREMSKOLBEN  
CLÉ POUR PISTON FREINANT AUTOBLOQUANT LLAVE PARA PISTÓN FRENANTE AUTOBLOQUEANTE



**COD. CHIAVE**  
**WRENCH CODE**  
**SCHLÜSSEL-CODE**  
**CODE CLÉ**  
**CÓD. LLAVE**

**COD. PISTONE**  
**PISTON CODE**  
**KOLBEN-CODE**  
**CODE PISTON**  
**CÓD. PISTÓN**

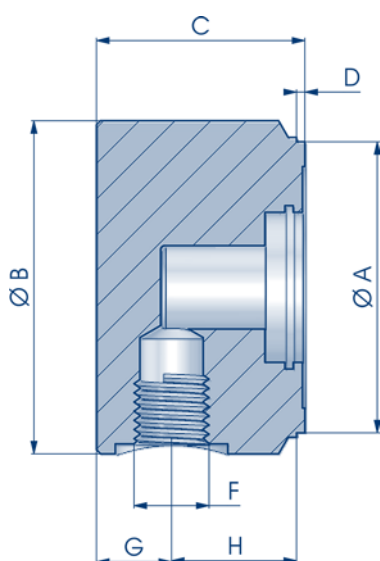
NBCHPF000M20  
NBCHPF000M24  
NBCHPF000M24  
NBCHPF000M24  
NBCHPF000M24  
NBCHPFM27M30  
NBCHPF000M33

NBPAFR000050  
NBPAFR000060  
NBPAFR000063  
NBPAFR000070  
NBPAFR000080  
NBPAFR000100



## FONDELLO FRENANTE


CUSHIONING END PLUG BREMSZYLINDERBODEN  
FOND FREINANT FONDO FRENANTE



COD.	A	B	C	D	F	G	H
NBFFR0050060*	50	60	50	2	3/8"	20	28
NBFFR0060070*	60	70	50	2	3/8"	20	28
NBFFR0063073*	63	73	50	2	3/8"	20	28
NBFFR0070080*	70	80	50	2	3/8"	20	28
NBFFR0080095*	80	95	50	2	1/2"	20	28
NBFFR0100115*	100	115	50	2	1/2"	20	28

Materiale di produzione : Acciaio 11SMn30  
Production material : Steel 11SMn30  
Werkstoff : Stahl 11SMn30  
Matériel de production : Acier 11SMn30  
Material de fabricación : Acero 11SMn30

Materiale di produzione\* : Acciaio S355JR  
Production material\* : Steel S355JR  
Werkstoff\* : Stahl S355JR  
Matériel de production\* : Acier S355JR  
Material de fabricación\* : Acero S355JR



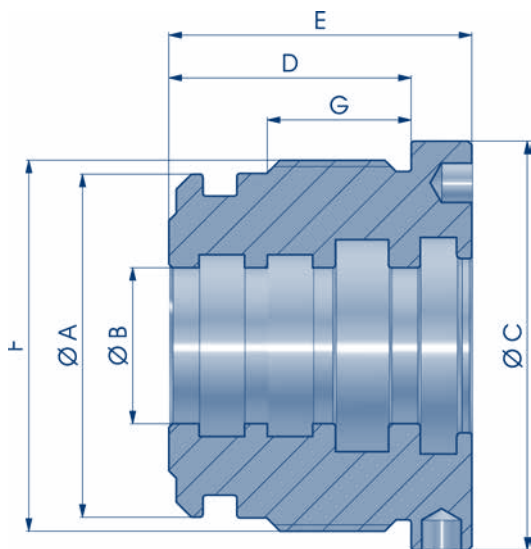
# MA E BIONDI

COMPONENTI IN ACCIAIO INOX AISI 316L  
AISI 316L-TYPE STAINLESS STEEL COMPONENTS  
KOMPONENTEN AUS EDELSTAHL AISI 316L  
COMPONENTS EN ACIER INOX AISI 316L  
COMPONENTES DE ACERO INOX AISI 316L





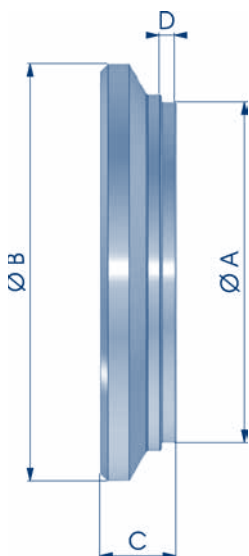
TESTATA  
HEAD KOPF  
TÊTE CABEZA



NEW	COD.	A	B	C	D	E	F	G
	NBTI05004020	40	20	49	32	40	M44x1,5	19
	NBTI05004025	40	25	49	32	40	M44x1,5	19
	NBTI06005025	50	25	59	35	43	M54x1,5	22
	NBTI06005030	50	30	59	35	43	M54x1,5	22
	NBTI07006030	60	30	69	40	50	M64x1,5	27
	NBTI07006035	60	35	69	40	50	M64x1,5	27
	NBTI07006040	60	40	69	40	50	M64x1,5	27
	NBTI08007035	70	35	79	40	50	M74x1,5	27
	NBTI08007040	70	40	79	40	50	M74x1,5	27
	NBTI09508040	80	40	94	50	60	M85x2	33
	NBTI09508050	80	50	94	50	60	M85x2	33
	NBTI10509040	90	40	104	50	60	M95x2	33
	NBTI10509050	90	50	104	50	60	M95x2	33
	NBTI11510040	100	40	114	53	65	M105x2	35
	NBTI11510050	100	50	114	53	65	M105x2	35
	NBTI11510060	100	60	114	53	65	M105x2	35



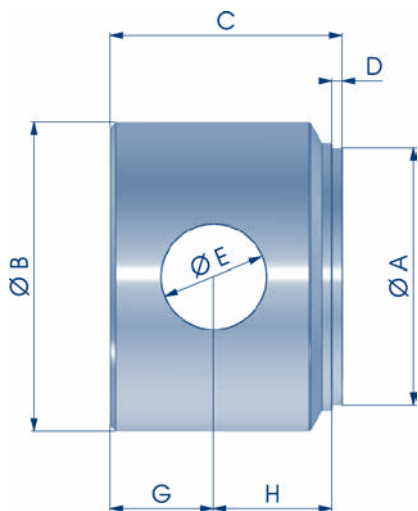
FONDELLO  
END PLUG ZYLINDERBODEN  
FOND FONDO



COD.	A	B	C	D
NBFI00040050	40	50	10	2
NBFI00050060	50	60	10	2
NBFI00060070	60	70	12	2
NBFI00070080	70	80	12	2
NBFI00080095	80	95	12	2



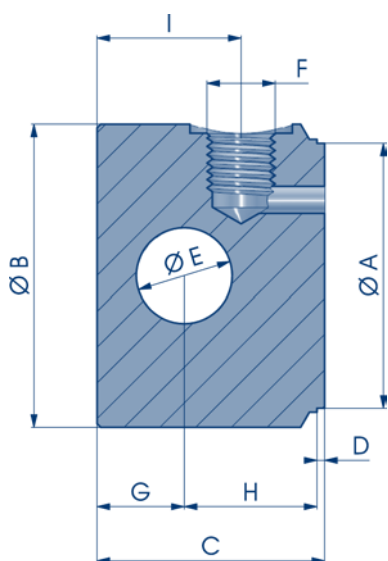
**FONDELLO FORATO**  
**HOLED END PLUG ZYLINDERBODEN MIT BOHRUNG**  
**FOND PERCÉ FONDO PERFORADO**



COD.	A	B	C	D	E	G	H
NBFFI04005016	40	50	35	2	16.2	15	18
NBFFI05006020	50	60	45	2	20.2	20	23
NBFFI06007025	60	70	50	2	25.2	22.5	25.5
NBFFI07008025	70	80	50	2	25.2	22.5	25.5
NBFFI08009530	80	95	60	2	30.2	25	33



**FONDELLO FORATO CON ENTRATA OLIO**  
**HOLED END PLUG WITH OIL INPUT ZYLINDERBODEN MIT BOHRUNG MIT ÖLEINLASS**  
**FOND PERCÉ AVEC ENTRÉE HUILE FONDO PERFORADO CON ENTRADA DE ACEITE**



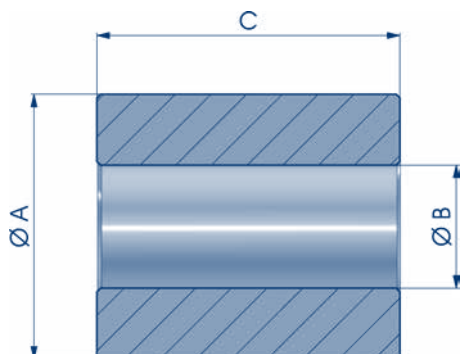
NEW	COD.	A	B	C	D	E	F	G	H	I
•	NBFFEI400500	40	50	50	2	16.2	1/4"	15	33	30
•	NBFFEI500600	50	60	60	2	20.25	3/8"	20	38	38
•	NBFFEI600700	60	70	60	2	25.25	3/8"	23	35	38
•	NBFFEI700800	70	80	60	2	25.25	3/8"	23	35	38
•	NBFFEI800950	80	95	75	2	30.25	3/8"	25	48	47
•	NBFFEI901050	90	105	75	2	30.25	3/8"	25	48	47
•	NBFFEI100115	100	115	75	2	35.25	1/2"	30	43	47

Materiale di produzione : Acciaio Inox AISI 316L  
Production material : AISI 316 L-type stainless steel  
Werkstoff : Edelstahl AISI 316 L  
Matériel de production : Acier Inox AISI 316L  
Material de fabricación : Acero Inox AISI 316L





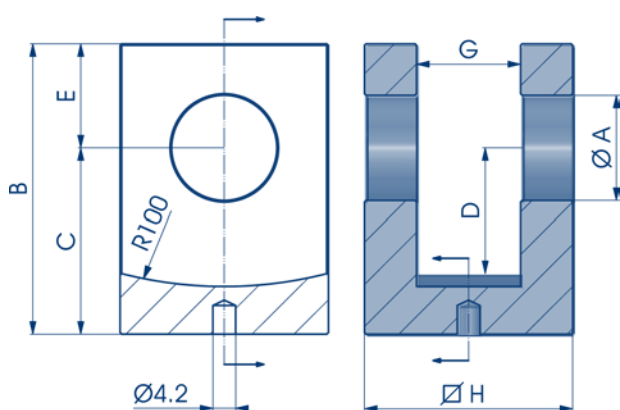
**BOCCOLA  
BUSH BUCHSE  
BAGUE BUJE**



COD.	A	B	C
NBBSI16035030	35	16.25	30
NBBSI20040040	40	20.25	40
NBBSI25050050	50	25.25	50
NBBSI30060060	60	30.25	60



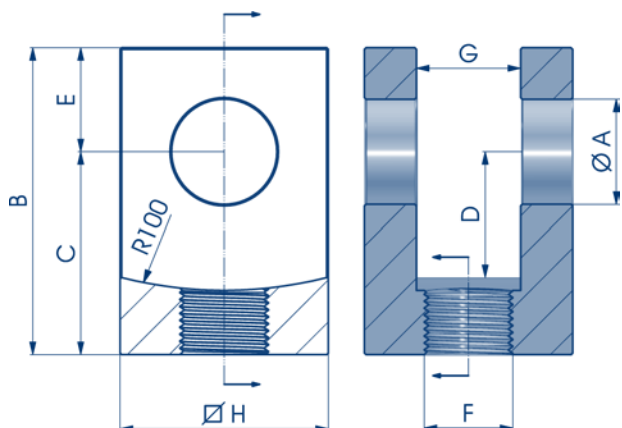
**FORCELLA A SALDARE  
WELDABLE FORK SCHWEIßBARE GABEL  
CHAPE À SOUDER HORQUILLA PARA SOLDAR**



COD.	A	B	C	D	E	G	H
NBFSI0000016	16.2	50	34	24	16	16	35
NBFSI0000020	20.25	60	40	30	20	20	40
NBFSI0000025	25.25	70	45	30	25	25	50



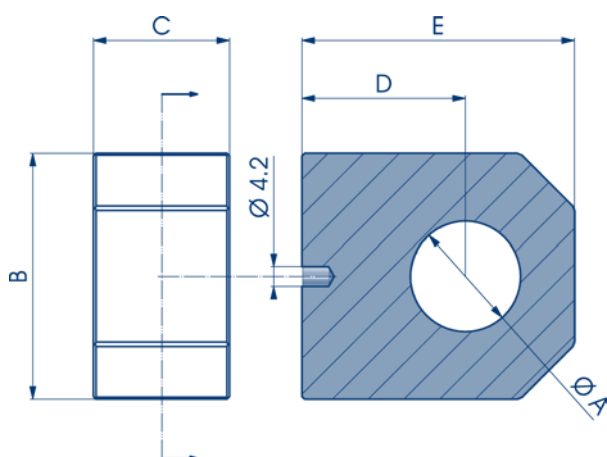
**FORCELLA FILETTATA**  
**THREADED FORK GABEL MIT GEWINDE**  
**CHAPE FILETÉE HORQUILLA ROSCADA**



COD.	A	B	C	D	E	F	G	H
NBFFILI161615	16.2	55	39	24	16	M16X1.5	16	35
NBFFILI202015	20.25	65	45	30	20	M20X1.5	20	40
NBFFILI252420	25.25	75	50	30	25	M24X2	25	50



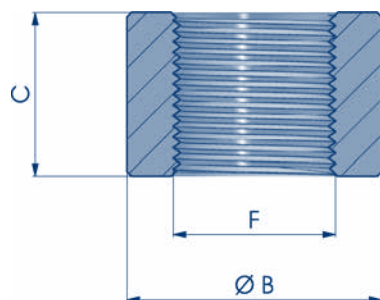
**TERMINALE FISSO**  
**FIX TERMINAL FESTES ZYLINDERENDE**  
**TERMINAL FIXE TERMINAL FIJO**



COD.	A	B	C	D	E
NBAFSI000016	16.2	35	20	25	42
NBAFSI000020	20.2	45	25	30	50
NBAFSI000025	25.2	50	30	35	60
NBAFSI000030	30.2	60	35	45	75
NBAFSI000035	35.2	70	40	55	90
NBAFSI000040	40.2	70	40	60	95



**BORCHIA**  
**PORT ANSCHLUSS**  
**BOSSAGE ROSCA**



<b>COD.</b>	<b>F</b>	<b>B</b>	<b>C</b>
NBBORSGI1/8	1/8"	16	10
NBBORSGI1/4	1/4"	20	15
NBBORSGI3/8	3/8"	26	17
NBBORSGI1/2	1/2"	32	20
NBBORSGI3/4	3/4"	38	21
NBBORSGI1	1"	46	25
NBBORSGI1 1/4	1"1/4	55	26
NBBORSGI1 1/2	1"1/2	62	30
NBBORSGI2	2"	70	30



# NE MALDONI E BIONDI

COMPONENTI IN KIT  
KIT COMPONENTS  
BAUSATZKOMponentEN  
COMPOSANTS EN KIT  
COMPONENTES EN KIT





COMPONENTI IN KIT  
KIT COMPONENTS BAUSATZKOMPONENTEN  
COMPOSANTS EN KIT COMPONENTES EN KIT



COD. KIT KIT CODE BAUSATZ-CODE CODE KIT CÓD KIT	TESTATA HEAD KOPF TÊTE CABEZA
NBKIT0301613	NBT004003016
NBKIT0322015	NBT004203220
NBKIT0402015	NBT005004020
NBKIT0402515	NBT005004025
NBKIT0502015	NBT006005020
NBKIT0502520	NBT006005025
NBKIT0503020	NBT006005030
NBKIT0603024	NBT007006030
NBKIT0603520	NBT007006035
NBKIT0603527	NBT007006035
NBKIT0604027	NBT007006040
NBKIT0633024	NBT007306330
NBKIT0633527	NBT007306335
NBKIT0634027	NBT007306340
NBKIT0653024	NBT007506530
NBKIT0653527	NBT007506535
NBKIT0654027	NBT007506540
NBKIT0703024	NBT008007030
NBKIT0703527	NBT008007035
NBKIT0704027	NBT008007040
NBKIT0803527	NBT009508035
NBKIT0804027	NBT009508040
NBKIT0804527	NBT009508045
NBKIT0805027	NBT009508050
NBKIT0806027	NBT009508060
NBKIT0904533	NBT010509045
NBKIT0905033	NBT010509050
NBKIT0906033	NBT010509060
NBKIT1005033	NBT011510050
NBKIT1006033	NBT011510060



<b>PISTONE PISTON KOLBEN PISTON PISTÓN</b>	<b>FONDELLO END PLUG ZYLINDERBODEN FOND FONDO</b>	<b>DADO NUT MUTTER ÉCROU TUERCA</b>	<b>BORCHIA (2X) PORT (2X) ANSCHLUSS (2X) BOSSAGE (2X) ROSCA (2X)</b>	<b>KIT GUARN. SEAL KIT DICHTUNGSSATZ KIT DE JOINTS KIT JUNTAS</b>
NBP000030013	NBFC00030040	NBDAA0001215	NBBORSG1/4	KS003001613
NBP000032015	NBFC00032042	NBDAA0001415	NBBORSG1/4	KS003202015
NBP000040015	NBFC00040050	NBDAA0001415	NBBORSG1/4	KS004002015
NBP000040015	NBFC00040050	NBDAA0001415	NBBORSG1/4	KS004002515
NBP000050015	NBFC00050060	NBDAA0001415	NBBORSG3/8	KS005002015
NBP000050020	NBFC00050060	NBDAA0002015	NBBORSG3/8	KS005002520
NBP000050020	NBFC00050060	NBDAA0002015	NBBORSG3/8	KS005003020
NBP000060024H50	NBFC00060070	NBDAA0002420	NBBORSG3/8	KS006003024
NBP000060020	NBFC00060070	NBDAA0002015	NBBORSG3/8	KS006003520
NBP000060027	NBFC00060070	NBDAA0002720	NBBORSG3/8	KS006003527
NBP000060027	NBFC00060070	NBDAA0002720	NBBORSG3/8	KS006004027
NBP000063024H50	NBFC00063073	NBDAA0002420	NBBORSG3/8	KS006303024
NBP000063027	NBFC00063073	NBDAA0002720	NBBORSG3/8	KS006303527
NBP000063027	NBFC00063073	NBDAA0002720	NBBORSG3/8	KS006304027
NBP000065024H50	NBFC00065075	NBDAA0002420	NBBORSG3/8	KS006503024
NBP000065027	NBFC00065075	NBDAA0002720	NBBORSG3/8	KS006503527
NBP000065027	NBFC00065075	NBDAA0002720	NBBORSG3/8	KS006504027
NBP000070024H50	NBFC00070080	NBDAA0002420	NBBORSG3/8	KS007003024
NBP000070027	NBFC00070080	NBDAA0002720	NBBORSG3/8	KS007003527
NBP000070027	NBFC00070080	NBDAA0002720	NBBORSG3/8	KS007004027
NBP000080027	NBFC00080095	NBDAA0002720	NBBORSG1/2	KS008003527
NBP000080027	NBFC00080095	NBDAA0002720	NBBORSG1/2	KS008004027
NBP000080027	NBFC00080095	NBDAA0002720	NBBORSG1/2	KS008004527
NBP000080027	NBFC00080095	NBDAA0002720	NBBORSG1/2	KS008005027
NBP000080027	NBFC00080095	NBDAA0002720	NBBORSG1/2	KS008006027
NBP000090033	NBFC00090105	NBDAA0003320	NBBORSG1/2	KS009004533
NBP000090033	NBFC00090105	NBDAA0003320	NBBORSG1/2	KS009005033
NBP000090033	NBFC00090105	NBDAA0003320	NBBORSG1/2	KS009006033
NBP000100033	NBFC00100115	NBDAA0003320	NBBORSG1/2	KS010005033
NBP000100033	NBFC00100115	NBDAA0003320	NBBORSG1/2	KS010006033



# MA E BIONDI

INFORMAZIONI TECNICHE  
TECHNICAL DATA  
TECHNISCHE DATEN  
INFORMATIONS TECHNIQUES  
DATOS TÉCNICOS





**VALORI DI SERRAGGIO PISTONE AUTOBLOCCANTE  
SELF-LOCKING PISTON TORQUE SETTINGS  
ANZUGSMOMENTE FÜR SELBSTSPERRENDEN KOLBEN  
COUPLES DE SERRAGE POUR PISTON AUTOBLOQUANT  
VALORES DE AJUSTE PARA PISTONES AUTOBLOQUEANTES**

<b>CODICE PISTONE PISTON CODE KOLBEN-CODE CODE PISTON CÓDIGO PISTÓN</b>	<b>Nm</b>	<b>Kgm</b>	<b>Lbf-ft</b>
<b>NBPF0351415B</b>	35 - 45	3,5 - 4,5	26 - 34
<b>NBPF0401615B</b>	40 - 50	4,0 - 5,0	30 - 38
<b>NBPF0502015B</b>	50 - 60	5,0 - 6,0	36 - 44
<b>NBPF0602420B</b>	60 - 75	6,0 - 7,5	44 - 55
<b>NBPF0632420B</b>	60 - 75	6,0 - 7,5	44 - 55
<b>NBPF0652420B</b>	60 - 75	6,0 - 7,5	44 - 55
<b>NBPF0702420B</b>	60 - 75	6,0 - 7,5	44 - 55
<b>NBPF0802720B</b>	80 - 100	8,0 - 10	60 - 75
<b>NBPF0803020B</b>	100 - 140	10 - 14	80 - 100
<b>NBPF0903320B</b>	130 - 170	13 - 17	95 - 125
<b>NBPF1003320B</b>	130 - 170	13 - 17	95 - 125

**Nota** : si consiglia di utilizzare le chiavi Naldoni e Biondi  
**Note** : we recommend that you use Naldoni e Biondi wrenches  
**Anm.**: die Verwendung der Naldoni e Biondi Werkzeuge wird empfohlen  
**Note** : on conseille d'utiliser les clés Naldoni e Biondi  
**Nota** : se recomienda utilizar las llaves Naldoni e Biondi





**NALDONI  
E BIONDI**



Naldoni e Biondi S.r.l. Via Bedazzo, 18 - 48022 Lugo RA Italy  
Tel. +39 0545 33483 - Fax 0545 32394 - [www.naldoniebiondi.it](http://www.naldoniebiondi.it)